

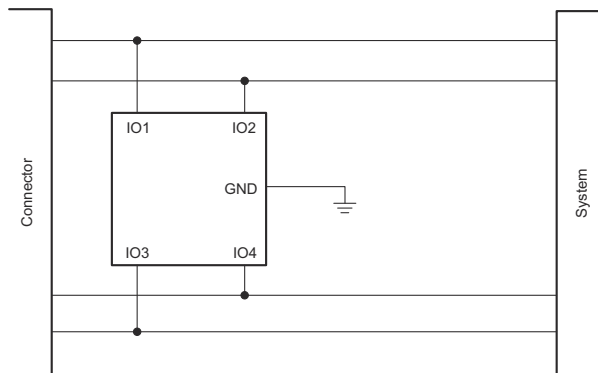
## TPD4E1B06 4-Channel Ultra Low Leakage ESD Protection Device

### 1 Features

- Ultra low leakage current 0.5nA (maximum)
- Transient protection for 4 I/O lines:
  - IEC 61000-4-2 Contact Discharge  $\pm 12\text{kV}$
  - IEC 61000-4-2 Air-Gap Discharge  $\pm 15\text{kV}$
  - IEC 61000-4-5 Surge 3.0A (8/20 $\mu\text{s}$ )
- I/O capacitance 0.7pF (typical)
- Bi-directional ESD protection diode array
- Low ESD clamping voltage
- Industrial temperature range:  $-40^{\circ}\text{C}$  to  $125^{\circ}\text{C}$
- Small, easy-to-route DRL and DCK packages

### 2 Applications

- [Glucose meter](#)
- [Tablets](#)
- [GPS](#)
- [Portable media players](#)
- [TV](#)
- [Set-top box](#)



**Simplified Schematic**

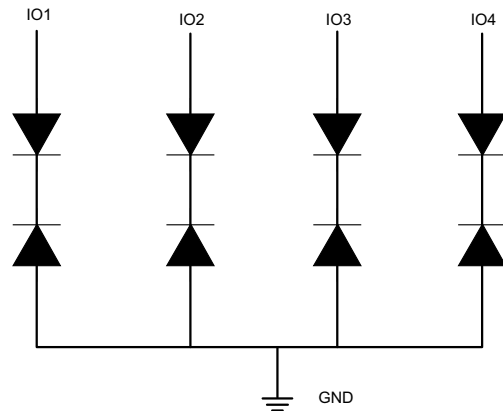
### 3 Description

The TPD4E1B06 is a 4-channel bi-directional Electrostatic Discharge (ESD) protection diode array. This device features ultra low leakage current (0.5nA) for precision analog measurements. The  $\pm 12\text{kV}$  contact and  $\pm 15\text{kV}$  air gap ESD protection exceeds IEC 61000-4-2 level 4 requirements. The TPD4E1B06 device's 0.7pF line capacitance makes it suitable for precision analog, USB2.0, Ethernet, SATA, LVDS, and 1394 interfaces.

#### Package Information

PART NUMBER	PACKAGE <sup>(1)</sup>	PACKAGE SIZE <sup>(2)</sup>
TPD4E1B06	DCK (SC70, 6)	2mm × 2.1mm
	DRL (SOT, 6)	1.6mm × 1.6mm

- (1) For all available packages, see the orderable addendum at the end of the data sheet.
- (2) The package size (length × width) is a nominal value and includes pins, where applicable.



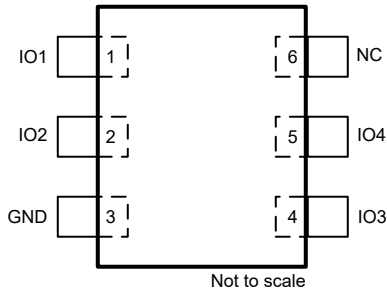
**Functional Block Diagram**



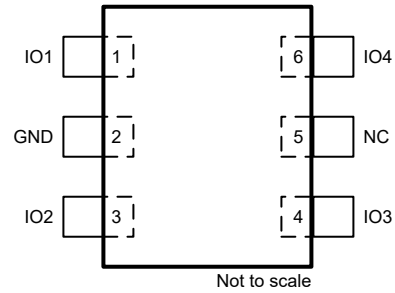
## Table of Contents

<b>1 Features</b> .....	1	6.4 Device Functional Modes.....	8
<b>2 Applications</b> .....	1	<b>7 Application and Implementation</b> .....	9
<b>3 Description</b> .....	1	7.1 Application Information.....	9
<b>4 Pin Configuration and Functions</b> .....	3	7.2 Typical Application.....	9
<b>5 Specifications</b> .....	4	7.3 Layout.....	10
5.1 Absolute Maximum Ratings.....	4	<b>8 Device and Documentation Support</b> .....	12
5.2 ESD Ratings.....	4	8.1 Receiving Notification of Documentation Updates... 12	
5.3 Recommended Operating Conditions.....	4	8.2 Support Resources.....	12
5.4 Thermal Information.....	4	8.3 Trademarks.....	12
5.5 Electrical Characteristics.....	5	8.4 Electrostatic Discharge Caution.....	12
5.6 Typical Characteristics.....	6	8.5 Glossary.....	12
<b>6 Detailed Description</b> .....	8	<b>9 Revision History</b> .....	13
6.1 Overview.....	8	<b>10 Mechanical, Packaging, and Orderable Information</b> .....	13
6.2 Functional Block Diagram.....	8		
6.3 Feature Description.....	8		

## 4 Pin Configuration and Functions



**Figure 4-1. DCK Package, 6-Pin SC70 (Top View)**



**Figure 4-2. DRL Package, 6-Pin SOT (Top View)**

**Table 4-1. Pin Functions**

NAME	PIN		TYPE <sup>(1)</sup>	DESCRIPTION
	NO.			
	DCK	DRL		
IO1	1	1	I/O	ESD protected channel. Connect to data line as close to the connector as possible.
IO2	2	3	I/O	ESD protected channel. Connect to data line as close to the connector as possible.
IO3	4	4	I/O	ESD protected channel. Connect to data line as close to the connector as possible.
IO4	5	6	I/O	ESD protected channel. Connect to data line as close to the connector as possible.
GND	3	2	GND	Ground
NC	6	5	NC	Not internally connected

(1) I = input, O = output, GND = ground, NC = no connection

## 5 Specifications

### 5.1 Absolute Maximum Ratings

over operating free-air temperature range (unless otherwise noted)<sup>(1)</sup>

	MIN	MAX	UNIT
Operating temperature range	-40	125	°C
I <sub>PP</sub> , peak pulse current (tp = 8/20 μs), IO pin to GND		3.0	A
P <sub>PP</sub> , peak pulse power (tp = 8/20 μs)		45	W

- (1) Operation outside the *Absolute Maximum Rating* may cause permanent device damage. *Absolute Maximum Rating* do not imply functional operation of the device at these or any other conditions beyond those listed under *Recommended Operating Condition*. If used outside the *Recommended Operating Condition* but within the *Absolute Maximum Rating*, the device may not be fully functional, and this may affect device reliability, functionality, performance, and shorten the device lifetime.

### 5.2 ESD Ratings

	MIN	MAX	UNIT	
T <sub>stg</sub> Storage temperature range	-65	155	°C	
V <sub>(ESD)</sub> Electrostatic discharge	Human body model (HBM), per ANSI/ESDA/JEDEC JS-001, all pins <sup>(1)</sup>	-4.0	4.0	kV
	Charged device model (CDM), per JEDEC specification JESD22-C101, all pins <sup>(2)</sup>	-1.5	1.5	
	IEC 61000-4-2 contact ESD	-12	12	
	IEC 61000-4-2 air-gap ESD	-15	15	

- (1) JEDEC document JEP155 states that 500-V HBM allows safe manufacturing with a standard ESD control process. Pins listed as 4 kV may actually have higher performance.
- (2) JEDEC document JEP157 states that 250-V CDM allows safe manufacturing with a standard ESD control process. Pins listed as 1.5 kV may actually have higher performance.

### 5.3 Recommended Operating Conditions

over operating free-air temperature range (unless otherwise noted)

	MIN	MAX	UNIT
V <sub>IO</sub> The voltage between any two device pins should not exceed 5.5 V	-5.5	5.5	V
T <sub>A</sub> Operating free-air temperature	-40	125	°C

### 5.4 Thermal Information

THERMAL METRIC <sup>(1)</sup>	TPD4E1B06		UNIT
	DCK	DRL	
	6 PINS	6 PINS	
R <sub>θJA</sub> Junction-to-ambient thermal resistance	227.3	233.4	°C/W
R <sub>θJC(top)</sub> Junction-to-case (top) thermal resistance	79.5	95.5	
R <sub>θJB</sub> Junction-to-board thermal resistance	72.1	68.1	
ψ <sub>JT</sub> Junction-to-top characterization parameter	3.6	7.6	
ψ <sub>JB</sub> Junction-to-board characterization parameter	70.4	67.9	

- (1) For more information about traditional and new thermal metrics, see the *IC Package Thermal Metrics* application report, [SPRA953](#).

## 5.5 Electrical Characteristics

 $T_A = 25^\circ\text{C}$ 

PARAMETER		TEST CONDITION	MIN	TYP	MAX	UNIT
$V_{RWM}$	Reverse stand-off voltage		-5.5		5.5	V
$V_{CLAMP}$	Clamp voltage with ESD strike, IO to GND	$I_{PP} = 1\text{ A}$ , $t_p = 8/20\ \mu\text{Sec}$ , from I/O to GND or GND to I/O		10.9		V
		$I_{PP} = 3\text{ A}$ , $t_p = 8/20\ \mu\text{Sec}$ , from I/O to GND or GND to I/O		14.5		V
$R_{DYN}$	Dynamic resistance	$I_{TLP} = 10\text{ A to }20\text{ A}$ , I/O to GND		1		$\Omega$
		$I_{TLP} = 10\text{ A to }20\text{ A}$ , GND to I/O		0.8		
$C_L$	Line capacitance	$f = 1\text{ MHz}$ , $V_{BIAS} = 2.5\text{ V}$		0.7	0.95	pF
$V_{BR}$	Break-down voltage	$I_{IO} = 1\text{ mA}$ , from I/O to GND or GND to I/O	7		9.5	V
$I_{LEAK}$	Leakage current	$V_{IO} = 2.5\text{ V}$			0.5	nA

## 5.6 Typical Characteristics

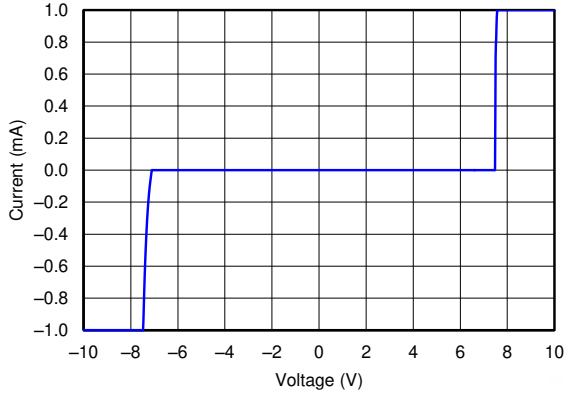


Figure 5-1. DC Voltage Sweep I-V Curve

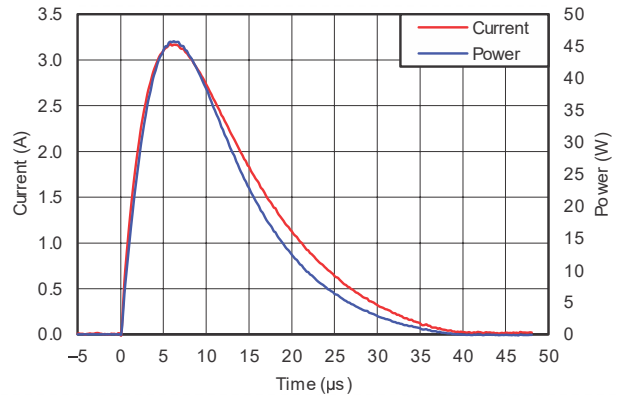


Figure 5-2. Surge Curve ( $t_p = 8/20 \mu s$ ), Pin IO to GND

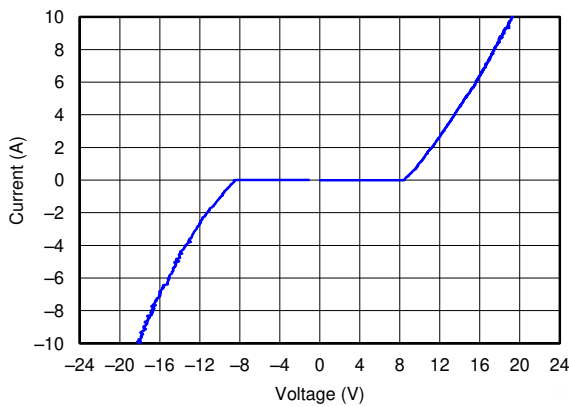


Figure 5-3. TLP Plot IO to GND

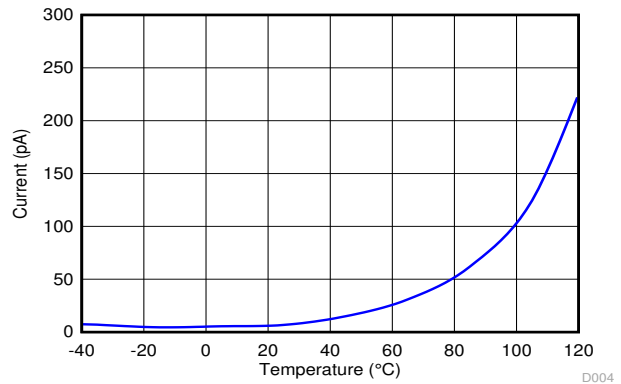


Figure 5-4. Leakage vs Temperature

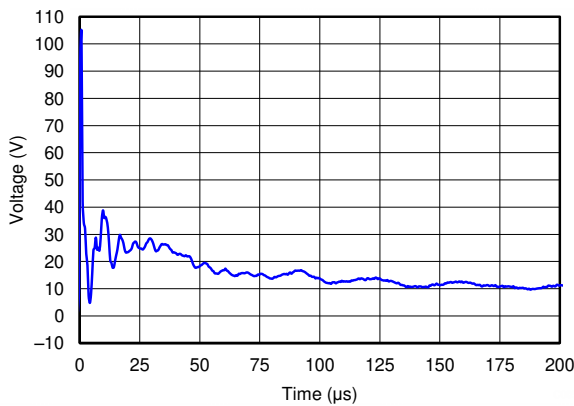


Figure 5-5. +8 kV IEC Waveform

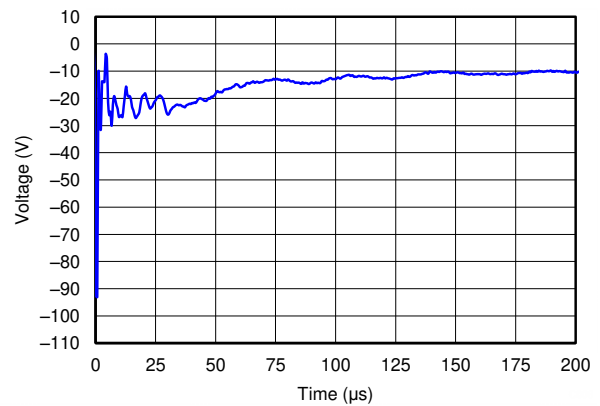
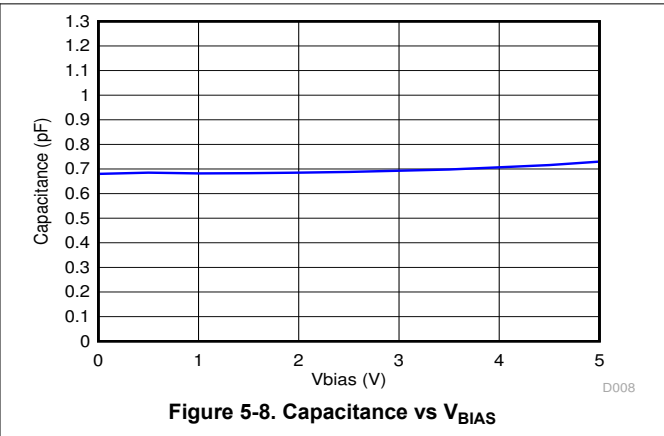
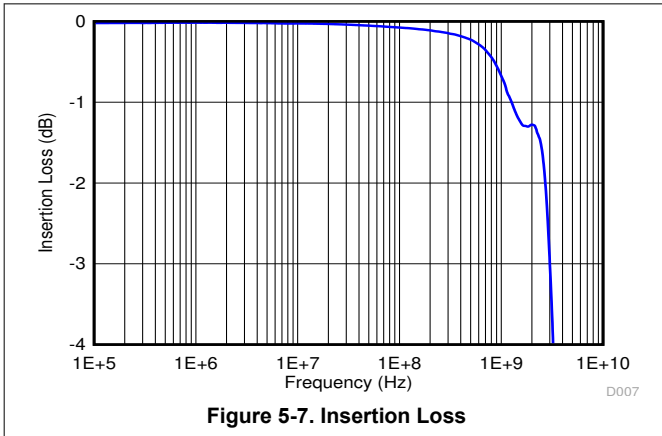


Figure 5-6. -8 kV IEC Waveform

### 5.6 Typical Characteristics (continued)

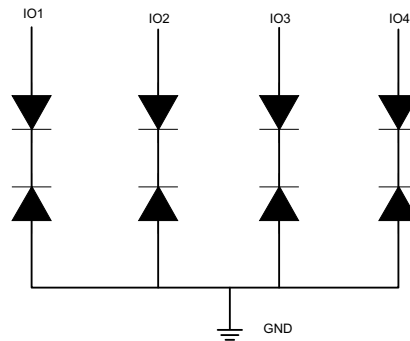


## 6 Detailed Description

### 6.1 Overview

The TPD4E1B06 is a 4-channel bi-directional Electrostatic Discharge (ESD) protection diode array. This device features ultra low leakage current (0.5 nA) for precision analog measurements. The  $\pm 12$  kV contact and  $\pm 15$  kV air gap ESD protection exceeds IEC 61000-4-2 level 4 requirements. The TPD4E1B06 0.7 pF line capacitance makes it suitable for precision analog, USB2.0, Ethernet, SATA, LVDS, and 1394 interfaces.

### 6.2 Functional Block Diagram



### 6.3 Feature Description

TPD4E1B06 diode array structure uses back-to-back diode topology to accommodate bi-directional signaling between  $-5.5$  V and  $5.5$  V. Each pin has an additional 2 steering diodes, including the ground pin. The Zener diodes are not meant to be forward biased, creating the need for having the steering diodes. If there is  $+8$  V on IO1 and 0V on IO2, the IO1 Zener diode will breakdown and forward bias one of the steering diodes on IO2. The current will then flow out of IO2.

#### 6.3.1 Ultra Low Leakage Current 0.5 nA (Maximum)

TPD4E1B06 ultra-low leakage current supports long battery life and allows for precision analog measurements.

#### 6.3.2 Transient Protection for 4 I/O Lines

The four I/O pins of TPD4E1B06 can withstand ESD events up to  $\pm 12$  kV contact and  $\pm 15$  kV air gap per IEC61000-4-2.

#### 6.3.3 I/O Capacitance 0.7 pF (Typical)

TPD4E1B06 I/O pins present an ultra-low 0.7 pF capacitance to the protected signal lines, making it suitable for a wide range of applications.

#### 6.3.4 Bi-Directional (ESD) Protection Diode Array

TPD4E1B06 diode array structure uses back to back diode topology to accommodate bi-directional signaling between  $-5.5$  V and  $5.5$  V.

#### 6.3.5 Low ESD Clamping Voltage

TPD4E1B06 clamps ESD events to a safe level to protect system components.

### 6.4 Device Functional Modes

TPD4E1B06 is a passive integrated circuit that activates whenever fast transient voltages above  $V_{BR}$  or below  $-V_{BR}$  are present on the circuit being protected. During ESD events, voltages as high as  $\pm 12$  kV can be directed to ground through the internal diode network. Once the voltages on the protected line fall below the trigger levels of TPD4E1B06 (usually within 10's of nano-seconds) the device reverts to passive.



## 7 Application and Implementation

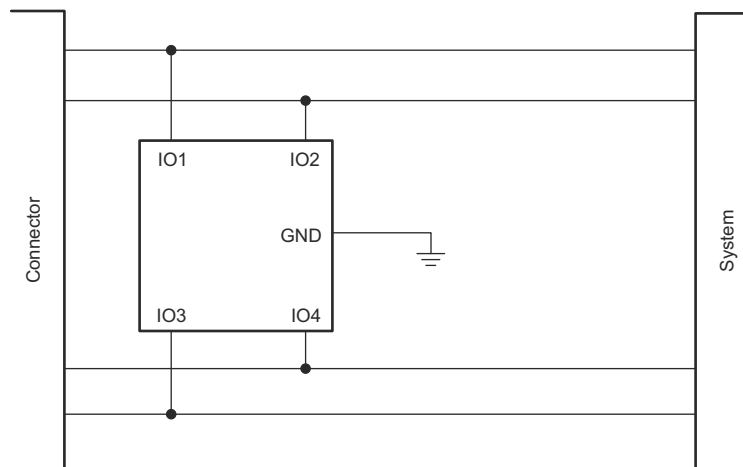
### Note

Information in the following applications sections is not part of the TI component specification, and TI does not warrant its accuracy or completeness. TI's customers are responsible for determining suitability of components for their purposes, as well as validating and testing their design implementation to confirm system functionality.

### 7.1 Application Information

TPD4E1B06 is an ESD protection diode array which is typically used to provide a path to ground for dissipating ESD events on hi-speed signal lines between a human interface connector and a system. As the current from ESD passes through the diode, only a small voltage drop is present across the diode. This is the voltage presented to the protected IC. The low  $R_{DYN}$  of the triggered diode holds this voltage,  $V_{CLAMP}$ , to a safe level to the protected IC.

### 7.2 Typical Application



**Figure 7-1. Protecting a Pair of Bi-Directional Differential Data Lines**

The typical application of the TBD4E1B06 is to be placed in between the connector and the system. The low capacitance of the TBD4E1B06 gives flexibility in the end application, as it can be used on many different high speed interfaces.

#### 7.2.1 Design Requirements

**Table 7-1. Design Parameters**

DESIGN PARAMETER	EXAMPLE VALUE
Signal range on IO1, IO2, IO3, IO4 Pins	–5.5 V to 5.5 V
Operating frequency	1.7 GHz

#### 7.2.2 Detailed Design Procedure

The designer needs to know the following:

- Signal range on all the protected lines
- Operating frequency

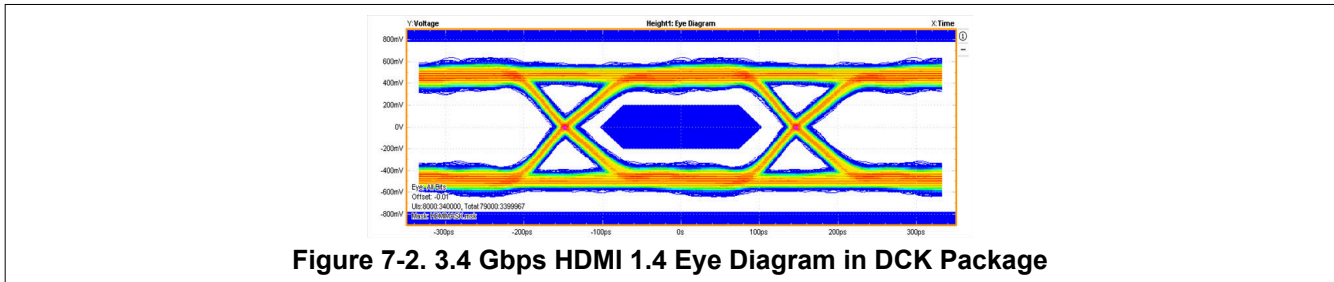
##### 7.2.2.1 Signal Range on IO1, IO2, IO3, and IO4 Pins

TPD4E1B06 has 4 protection channels for signal lines. Any I/O will support a signal range of –5.5 V to 5.5 V.

### 7.2.2.2 Operating Frequency

The 0.7 pF capacitance of each I/O channel supports data rates up to 3.4 Gbps.

### 7.2.3 Application Curves



## 7.3 Layout

### 7.3.1 Layout Guidelines

- Place the device as close to the connector as possible.
  - EMI during an ESD event can couple from the trace being struck to other nearby unprotected traces, resulting in early system failures.
  - The PCB designer should minimize the possibility of EMI coupling by keeping any unprotected traces away from the protected traces which are between the diode and the connector.
- Route the protected traces as straight as possible.
- Eliminate any sharp corners on the protected traces between the diode and the connector by using rounded corners with the largest radii possible.
  - Electric fields tend to build up on corners, increasing EMI coupling.

### 7.3.2 Layout Examples

Figure 7-3 shows a layout example for the TPD4E1B06DCK. Pins 1 and 2 and 4 and 5 are routed differentially. Pin 3 is routed to the ground plane. Pin 6 does not have an internal connection in the device and does not need to be routed anywhere on the board. It is also acceptable to connect pin 6 to the ground plane.

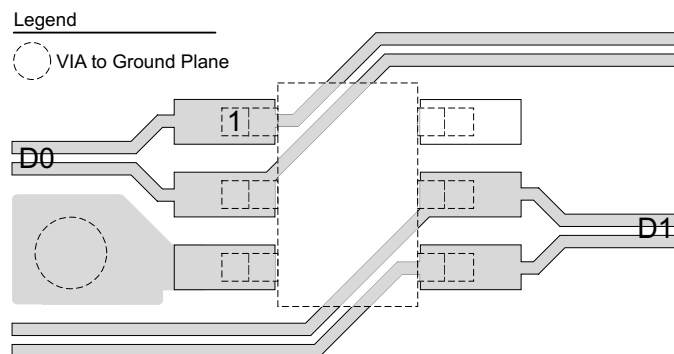
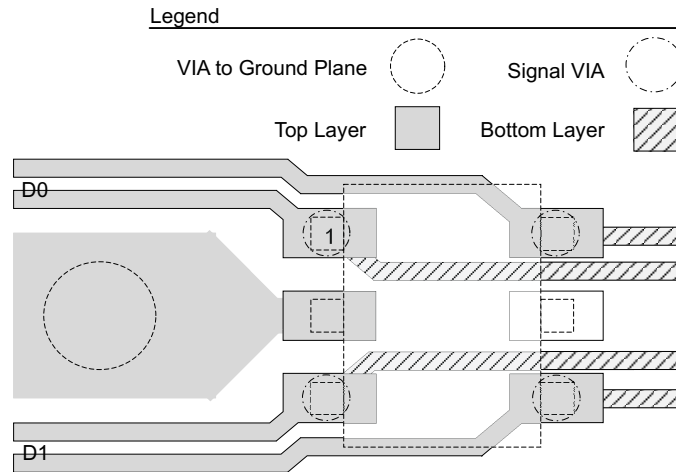


Figure 7-3. DCK Layout Example Showing Two Data Pairs, D0 and D1

Figure 7-4 shows a layout example for the TPD4E1B06DRL. Pins 1 and 6 and 3 and 4 are routed differentially. Pin 2 is routed to the ground plane. Pin 5 does not have an internal connection in the device and does not need to be routed anywhere on the board. It is also acceptable to connect pin 5 to the ground plane.



**Figure 7-4. DRL Layout Example Showing Two Data Pairs, D0 and D1**

## 8 Device and Documentation Support

### 8.1 Receiving Notification of Documentation Updates

To receive notification of documentation updates, navigate to the device product folder on [ti.com](https://www.ti.com). Click on *Notifications* to register and receive a weekly digest of any product information that has changed. For change details, review the revision history included in any revised document.

### 8.2 Support Resources

[TI E2E™ support forums](#) are an engineer's go-to source for fast, verified answers and design help — straight from the experts. Search existing answers or ask your own question to get the quick design help you need.

Linked content is provided "AS IS" by the respective contributors. They do not constitute TI specifications and do not necessarily reflect TI's views; see TI's [Terms of Use](#).

### 8.3 Trademarks

TI E2E™ is a trademark of Texas Instruments.

All trademarks are the property of their respective owners.

### 8.4 Electrostatic Discharge Caution



This integrated circuit can be damaged by ESD. Texas Instruments recommends that all integrated circuits be handled with appropriate precautions. Failure to observe proper handling and installation procedures can cause damage.

ESD damage can range from subtle performance degradation to complete device failure. Precision integrated circuits may be more susceptible to damage because very small parametric changes could cause the device not to meet its published specifications.

### 8.5 Glossary

[TI Glossary](#)

This glossary lists and explains terms, acronyms, and definitions.

## 9 Revision History

NOTE: Page numbers for previous revisions may differ from page numbers in the current version.

### Changes from Revision D (October 2023) to Revision E (October 2024) Page

- Updated [Figure 4-1](#) .....3

### Changes from Revision C (July 2014) to Revision D (October 2023) Page

- Updated the numbering format for tables, figures, and cross-references throughout the document..... 1
- Updated the *Package Information* table to include package lead size..... 1
- Updated the *Feature Description* section..... 8
- Updated the *Bi-directional (ESD) Protection Diode Array* section.....8

### Changes from Revision B (May 2014) to Revision C (July 2014) Page

- Changed 2 device names from TPD4E6B06 to TPD4E1B06 .....9

### Changes from Revision A (January 2013) to Revision B (May 2014) Page

- Added DRL package to data sheet.....1
- Changed  $I_{PP}$ , peak pulse current from 3.5 A to 3.0 A.....4
- Added the ESD Ratings table.....4
- Added Recommended Operating Conditions table..... 4
- Changed Electrical Characteristics table to reflect operating conditions at 25 °C.....5
- Added MIN  $V_{RWM}$  value of -5.5 V.....5
- Changed  $V_{CLAMP}$  at  $I_{PP} = 1$  A from 10.5 V to 10.9 V. .... 5
- Changed Line Capacitance TYP value from 1 pF to 0.7 pF..... 5
- Added Line Capacitance MAX value of 0.95 pF. .... 5
- Changed  $I_{LEAK}$  from MAX of 10 nA to 0.5 nA ..... 5

### Changes from Revision \* (December 2012) to Revision A (January 2013) Page

- Fixed "f" units typo from GHz to MHz for  $C_L$  parameter in ELECTRICAL CHARACTERISTICS table..... 5

## 10 Mechanical, Packaging, and Orderable Information

The following pages include mechanical, packaging, and orderable information. This information is the most current data available for the designated devices. This data is subject to change without notice and revision of this document. For browser-based versions of this data sheet, refer to the left-hand navigation.

**PACKAGING INFORMATION**

Orderable Device	Status (1)	Package Type	Package Drawing	Pins	Package Qty	Eco Plan (2)	Lead finish/ Ball material (6)	MSL Peak Temp (3)	Op Temp (°C)	Device Marking (4/5)	Samples
TPD4E1B06DCKR	ACTIVE	SC70	DCK	6	3000	RoHS & Green	NIPDAU	Level-1-260C-UNLIM	-40 to 125	BYP	<a href="#">Samples</a>
TPD4E1B06DRLR	ACTIVE	SOT-5X3	DRL	6	4000	RoHS & Green	NIPDAU   NIPDAUAG	Level-1-260C-UNLIM	-40 to 125	(BYG, BYH)	<a href="#">Samples</a>

(1) The marketing status values are defined as follows:

**ACTIVE:** Product device recommended for new designs.

**LIFEBUY:** TI has announced that the device will be discontinued, and a lifetime-buy period is in effect.

**NRND:** Not recommended for new designs. Device is in production to support existing customers, but TI does not recommend using this part in a new design.

**PREVIEW:** Device has been announced but is not in production. Samples may or may not be available.

**OBSOLETE:** TI has discontinued the production of the device.

(2) **RoHS:** TI defines "RoHS" to mean semiconductor products that are compliant with the current EU RoHS requirements for all 10 RoHS substances, including the requirement that RoHS substance do not exceed 0.1% by weight in homogeneous materials. Where designed to be soldered at high temperatures, "RoHS" products are suitable for use in specified lead-free processes. TI may reference these types of products as "Pb-Free".

**RoHS Exempt:** TI defines "RoHS Exempt" to mean products that contain lead but are compliant with EU RoHS pursuant to a specific EU RoHS exemption.

**Green:** TI defines "Green" to mean the content of Chlorine (Cl) and Bromine (Br) based flame retardants meet JS709B low halogen requirements of <=1000ppm threshold. Antimony trioxide based flame retardants must also meet the <=1000ppm threshold requirement.

(3) MSL, Peak Temp. - The Moisture Sensitivity Level rating according to the JEDEC industry standard classifications, and peak solder temperature.

(4) There may be additional marking, which relates to the logo, the lot trace code information, or the environmental category on the device.

(5) Multiple Device Markings will be inside parentheses. Only one Device Marking contained in parentheses and separated by a "~" will appear on a device. If a line is indented then it is a continuation of the previous line and the two combined represent the entire Device Marking for that device.

(6) Lead finish/Ball material - Orderable Devices may have multiple material finish options. Finish options are separated by a vertical ruled line. Lead finish/Ball material values may wrap to two lines if the finish value exceeds the maximum column width.

**Important Information and Disclaimer:**The information provided on this page represents TI's knowledge and belief as of the date that it is provided. TI bases its knowledge and belief on information provided by third parties, and makes no representation or warranty as to the accuracy of such information. Efforts are underway to better integrate information from third parties. TI has taken and continues to take reasonable steps to provide representative and accurate information but may not have conducted destructive testing or chemical analysis on incoming materials and chemicals. TI and TI suppliers consider certain information to be proprietary, and thus CAS numbers and other limited information may not be available for release.

In no event shall TI's liability arising out of such information exceed the total purchase price of the TI part(s) at issue in this document sold by TI to Customer on an annual basis.



**TAPE AND REEL INFORMATION**

**QUADRANT ASSIGNMENTS FOR PIN 1 ORIENTATION IN TAPE**


\*All dimensions are nominal

Device	Package Type	Package Drawing	Pins	SPQ	Reel Diameter (mm)	Reel Width W1 (mm)	A0 (mm)	B0 (mm)	K0 (mm)	P1 (mm)	W (mm)	Pin1 Quadrant
TPD4E1B06DCKR	SC70	DCK	6	3000	178.0	8.4	2.4	2.5	1.2	4.0	8.0	Q3
TPD4E1B06DRLR	SOT-5X3	DRL	6	4000	180.0	8.4	2.0	1.8	0.75	4.0	8.0	Q3



**TAPE AND REEL BOX DIMENSIONS**


\*All dimensions are nominal

Device	Package Type	Package Drawing	Pins	SPQ	Length (mm)	Width (mm)	Height (mm)
TPD4E1B06DCKR	SC70	DCK	6	3000	180.0	180.0	18.0
TPD4E1B06DRLR	SOT-5X3	DRL	6	4000	210.0	185.0	35.0

# DRL0006A



# PACKAGE OUTLINE

## SOT - 0.6 mm max height

PLASTIC SMALL OUTLINE



4223266/F 11/2024

### NOTES:

1. All linear dimensions are in millimeters. Any dimensions in parenthesis are for reference only. Dimensioning and tolerancing per ASME Y14.5M.
2. This drawing is subject to change without notice.
3. This dimension does not include mold flash, protrusions, or gate burrs. Mold flash, protrusions, or gate burrs shall not exceed 0.15 mm per side.
4. Reference JEDEC registration MO-293 Variation UAAD

# EXAMPLE BOARD LAYOUT

DRL0006A

SOT - 0.6 mm max height

PLASTIC SMALL OUTLINE



LAND PATTERN EXAMPLE  
SCALE:30X



SOLDERMASK DETAILS

4223266/F 11/2024

NOTES: (continued)

5. Publication IPC-7351 may have alternate designs.
6. Solder mask tolerances between and around signal pads can vary based on board fabrication site.
7. Land pattern design aligns to IPC-610, Bottom Termination Component (BTC) solder joint inspection criteria.

# EXAMPLE STENCIL DESIGN

DRL0006A

SOT - 0.6 mm max height

PLASTIC SMALL OUTLINE



SOLDER PASTE EXAMPLE  
BASED ON 0.1 mm THICK STENCIL  
SCALE:30X

4223266/F 11/2024

NOTES: (continued)

8. Laser cutting apertures with trapezoidal walls and rounded corners may offer better paste release. IPC-7525 may have alternate design recommendations.
9. Board assembly site may have different recommendations for stencil design.

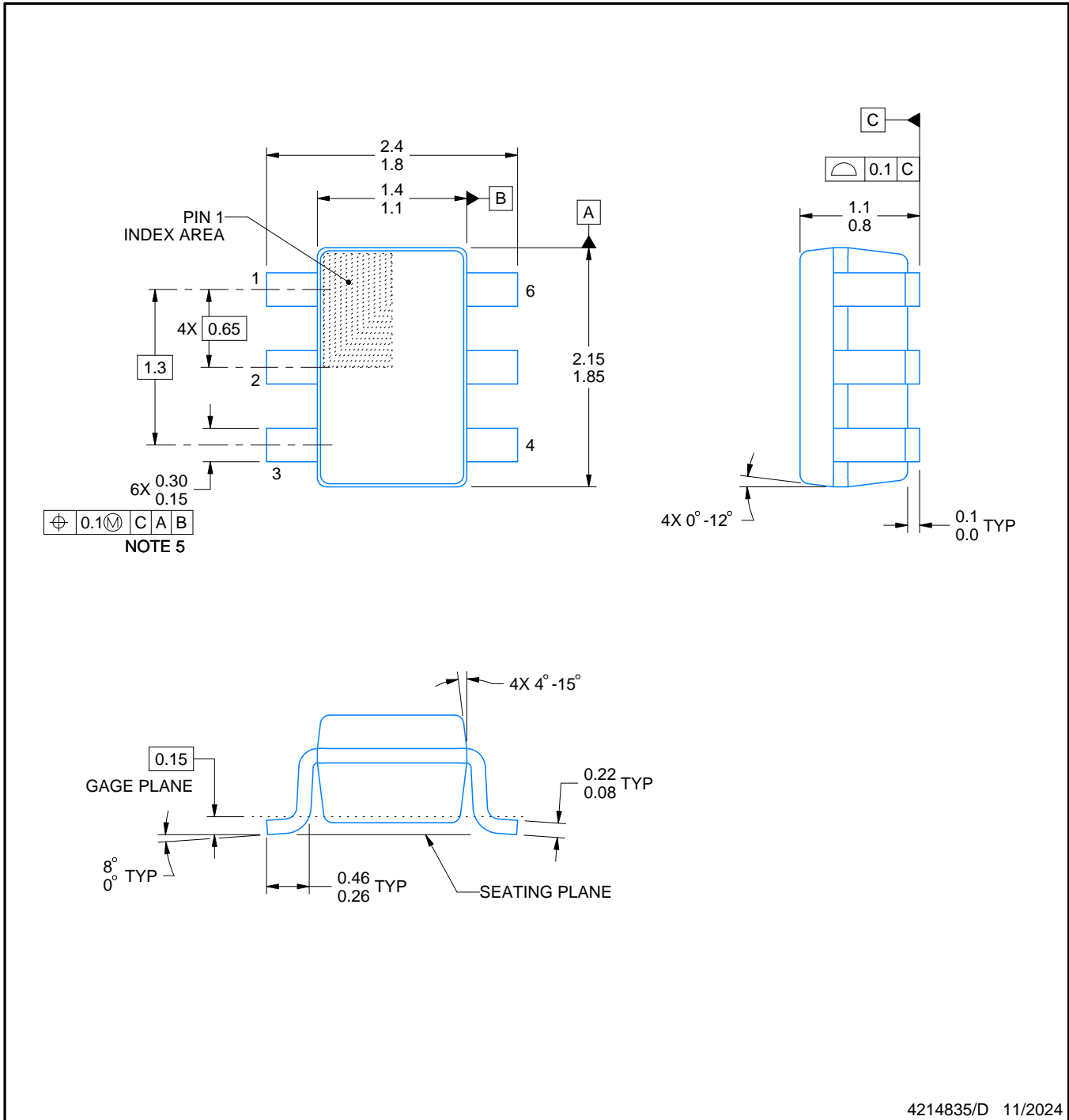
# DCK0006A



# PACKAGE OUTLINE

SOT - 1.1 max height

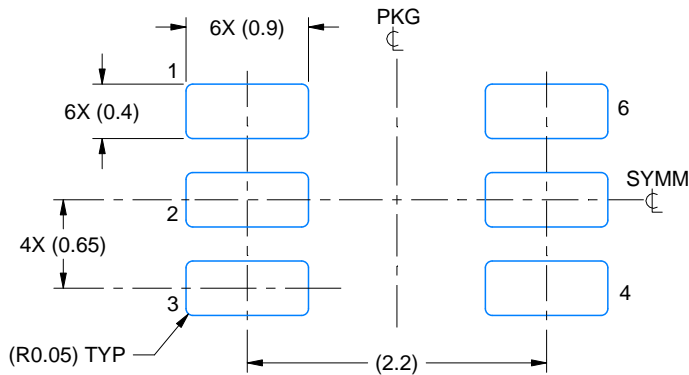
SMALL OUTLINE TRANSISTOR



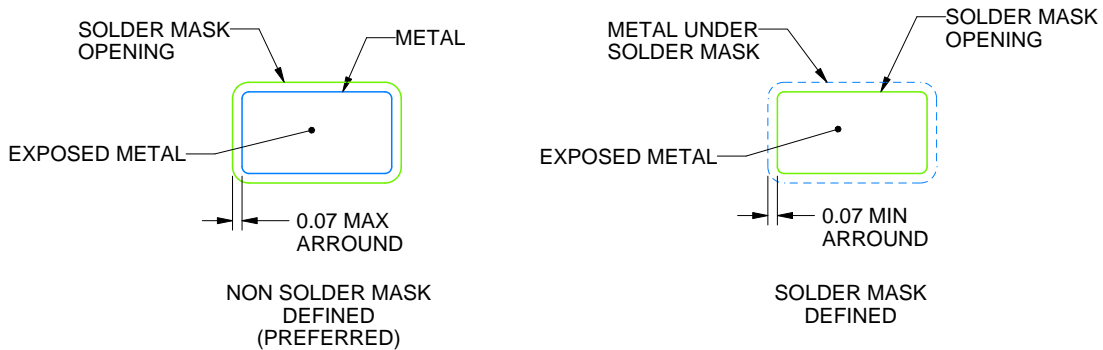
4214835/D 11/2024

**NOTES:**

1. All linear dimensions are in millimeters. Any dimensions in parenthesis are for reference only. Dimensioning and tolerancing per ASME Y14.5M.
2. This drawing is subject to change without notice.
3. Body dimensions do not include mold flash or protrusion. Mold flash and protrusion shall not exceed 0.15 per side.
4. Falls within JEDEC MO-203 variation AB.



LAND PATTERN EXAMPLE  
EXPOSED METAL SHOWN  
SCALE:18X



SOLDER MASK DETAILS

4214835/D 11/2024

NOTES: (continued)

- 5. Publication IPC-7351 may have alternate designs.
- 6. Solder mask tolerances between and around signal pads can vary based on board fabrication site.



SOLDER PASTE EXAMPLE  
BASED ON 0.125 THICK STENCIL  
SCALE:18X

4214835/D 11/2024

NOTES: (continued)

7. Laser cutting apertures with trapezoidal walls and rounded corners may offer better paste release. IPC-7525 may have alternate design recommendations.
8. Board assembly site may have different recommendations for stencil design.

## IMPORTANT NOTICE AND DISCLAIMER

TI PROVIDES TECHNICAL AND RELIABILITY DATA (INCLUDING DATA SHEETS), DESIGN RESOURCES (INCLUDING REFERENCE DESIGNS), APPLICATION OR OTHER DESIGN ADVICE, WEB TOOLS, SAFETY INFORMATION, AND OTHER RESOURCES "AS IS" AND WITH ALL FAULTS, AND DISCLAIMS ALL WARRANTIES, EXPRESS AND IMPLIED, INCLUDING WITHOUT LIMITATION ANY IMPLIED WARRANTIES OF MERCHANTABILITY, FITNESS FOR A PARTICULAR PURPOSE OR NON-INFRINGEMENT OF THIRD PARTY INTELLECTUAL PROPERTY RIGHTS.

These resources are intended for skilled developers designing with TI products. You are solely responsible for (1) selecting the appropriate TI products for your application, (2) designing, validating and testing your application, and (3) ensuring your application meets applicable standards, and any other safety, security, regulatory or other requirements.

These resources are subject to change without notice. TI grants you permission to use these resources only for development of an application that uses the TI products described in the resource. Other reproduction and display of these resources is prohibited. No license is granted to any other TI intellectual property right or to any third party intellectual property right. TI disclaims responsibility for, and you will fully indemnify TI and its representatives against, any claims, damages, costs, losses, and liabilities arising out of your use of these resources.

TI's products are provided subject to [TI's Terms of Sale](#) or other applicable terms available either on [ti.com](https://www.ti.com) or provided in conjunction with such TI products. TI's provision of these resources does not expand or otherwise alter TI's applicable warranties or warranty disclaimers for TI products.

TI objects to and rejects any additional or different terms you may have proposed.

Mailing Address: Texas Instruments, Post Office Box 655303, Dallas, Texas 75265

Copyright © 2025, Texas Instruments Incorporated