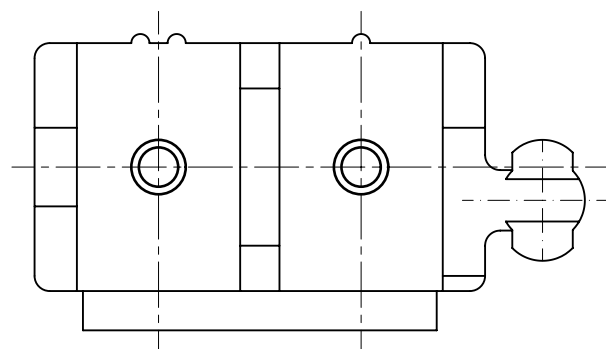
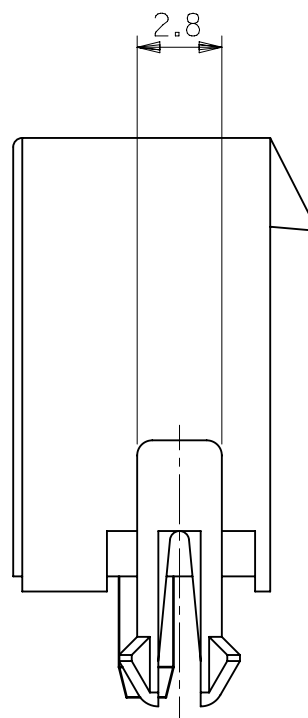
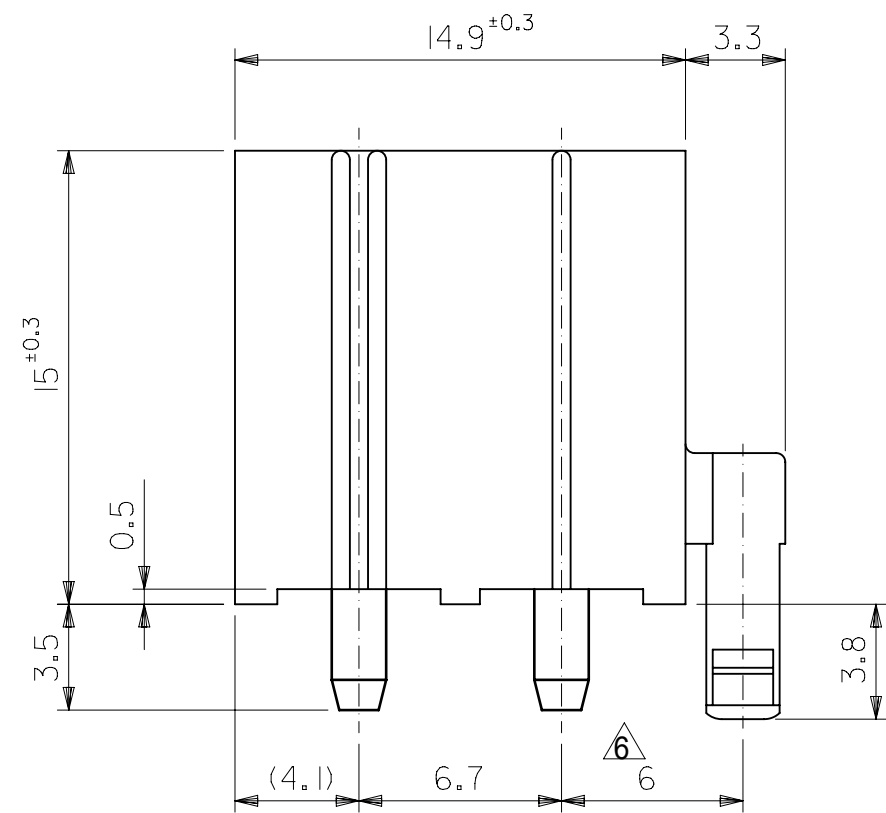
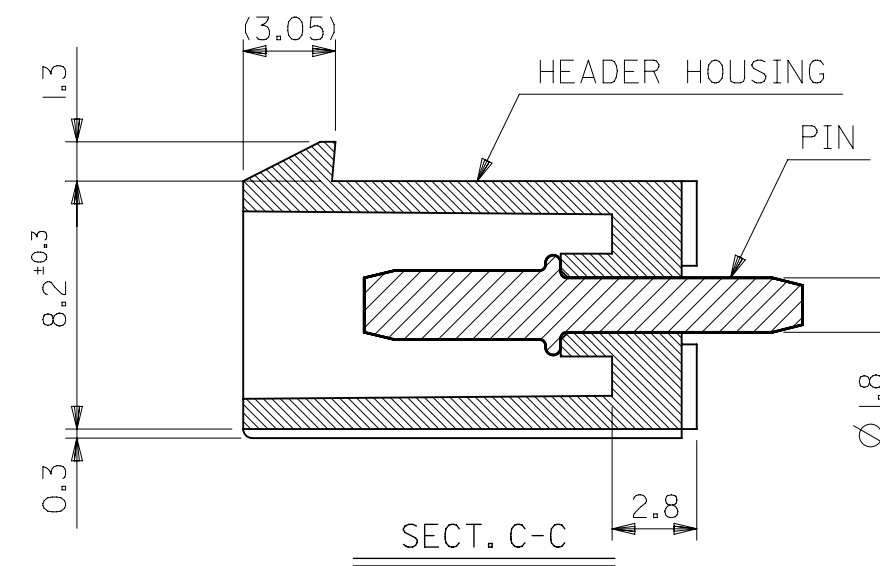


RECOMMENDED P.C.BOARD HOLE DIM.



NOTES:

1) MATERIAL:

HOUSING: "BLANK" = NYLON 6/6, UL94V-2, COLOR: NATURAL

"201" = NYLON 6/6, UL94V-0, COLOR: NATURAL

TERMINAL: C2700W BRASS

2) FINISH: 0.000003/(.0000001) MIN. TIN OVERALL OVER

0.000001/(.00000004) MIN. NICKEL OVERALL

3) PRODUCT SPECIFICATION: NONE

4) PACKAGING: PK-5219-002

5) MATES WITH: 3191-02R SERIES

⚠ DIFFERENCE OF DIMENSION IS INTENTIONAL TO PREVENT PART RISING FROM P.C.B.

7) PARTS CONFORM TO CLASS 'B' REQUIREMENTS OF COSMETIC

SPECIFICATION PS-45499-002.

ENG. NO.	ORDER NO.	PIN STYLE	HSG. MATERIAL	PIN PLATING
5219-02A	15-31-1026	SOLID	94V-2 NYLON	TIN
5219-02C	15-31-3026	HOLLOW	94V-2 NYLON	TIN
5219-02AG-201	39-33-9021	SOLID	94V-0 NYLON	GOLD

THIS DRAWING CONTAINS INFORMATION THAT IS PROPRIETARY TO MOLEX ELECTRONIC TECHNOLOGIES, LLC AND SHOULD NOT BE USED WITHOUT WRITTEN PERMISSION

DIMENSION UNITS		SCALE		CURRENT REV DESC: OBSOLETE PART NUMBERS				DOCUMENT NUMBER			
mm	NTS	MM	INCH	EC NO: 650267				SD-5219-02AX-X			
GENERAL TOLERANCES (UNLESS SPECIFIED)				DRWN: SKANDB				2020/10/19			
4 PLACES ±				CHK'D: GGA				2020/12/10			
3 PLACES ±				APPR: GGA				2020/12/10			
2 PLACES ± 0.25				INITIAL REVISION:				1994/10/26			
1 PLACE ± 0.35				DRWN: H.HASEGAWA				1996/02/26			
0 PLACES ±				APPR: M.FUKUSHIMA				1996/02/26			
ANGULAR TOL ± 1.0 °				THIRD ANGLE PROJECTION				MATERIAL NUMBER			
DRAFT WHERE APPLICABLE MUST REMAIN WITHIN DIMENSIONS				DRAWING				CUSTOMER			
				C-SIZE				GENERAL MARKET			
				SERIES				SHEET NUMBER			
				5219				1 OF 1			

molex

NEW INTERNATIONAL CONN. HEADER AND ASSY

PRODUCT CUSTOMER DRAWING

DOC TYPE: PSD
DOC PART: 001
REVISION: P