

TPS3808Gxx-Q1 Low-Quiescent-Current Programmable-Delay Supervisory Circuit

1 Features

- Qualified for Automotive Applications
- Power-On Reset Generator With Adjustable Delay Time: 1.25 ms to 10 s
- Very Low Quiescent Current: 2.4 μ A Typical
- High Threshold Accuracy: 0.5% Typical
- Fixed Threshold Voltages for Standard Voltage Rails From 1.2 V to 5 V and Adjustable Voltage Down to 0.4 V Are Available
- Manual Reset ($\overline{\text{MR}}$) Input
- Open-Drain $\overline{\text{RESET}}$ Output
- Temperature Range: -40°C to $+125^{\circ}\text{C}$
- Small SOT-23 Package and WSON Package (TPS3808G01QDRVRQ1 only)

2 Applications

- DSP or Microcontroller Applications
- FPGA and ASIC Applications
- Automotive Vision
- Automotive Radar

3 Description

The TPS3808Gxx-Q1 microprocessor supervisory circuits monitor system voltages from 0.4 V to 5 V, asserting an open-drain $\overline{\text{RESET}}$ signal when the SENSE voltage drops below a preset threshold or when the manual reset ($\overline{\text{MR}}$) pin drops to a logic low. The $\overline{\text{RESET}}$ output remains low for the user-adjustable delay time after the SENSE voltage and $\overline{\text{MR}}$ return above their thresholds.

The TPS3808Gxx-Q1 device uses a precision reference to achieve 0.5% threshold accuracy for $V_{\text{IT}} \leq 3.3$ V. The reset delay time can be set to 20 ms by disconnecting the C_{T} pin, 300 ms by connecting the C_{T} pin to V_{DD} using a resistor, or can be user-adjusted from 1.25 ms to 10 s by connecting the C_{T} pin to an external capacitor. The TPS3808Gxx-Q1 has a very low typical quiescent current of 2.4 μ A, so it is well suited for battery-powered applications. The device is available in a small SOT-23 package (one option available in WSON) and is fully specified over a temperature range of -40°C to $+125^{\circ}\text{C}$ (T_{J}).

For more information about TI's voltage supervisor portfolio, visit the [Supervisor and Reset IC Overview Page](#).

Device Information⁽¹⁾

| PART NUMBER | PACKAGE | BODY SIZE (NOM) |
|---------------|------------|-------------------|
| TPS3808Gxx-Q1 | SOT-23 (6) | 2.90 mm x 1.60 mm |
| | WSON (6) | 2.00 mm x 2.00 mm |

(1) For all available packages, see the orderable addendum at the end of the data sheet.

Typical Application Schematic

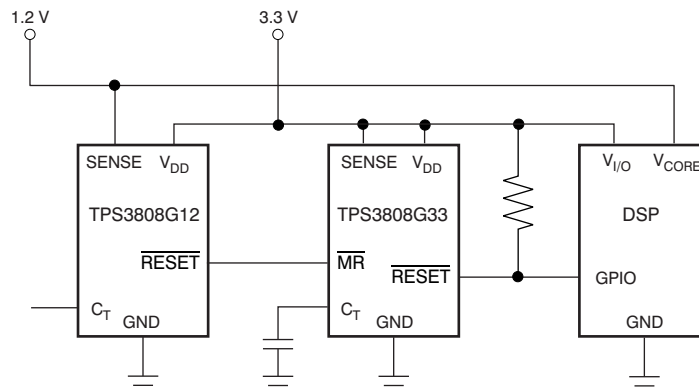


Table of Contents

| | | | |
|--|----------|--|-----------|
| 1 Features | 1 | 8.3 Feature Description | 9 |
| 2 Applications | 1 | 8.4 Device Functional Modes | 11 |
| 3 Description | 1 | 9 Applications and Implementation | 12 |
| 4 Revision History | 2 | 9.1 Application Information | 12 |
| 5 Device Comparison Table | 3 | 9.2 Typical Application | 12 |
| 6 Pin Configuration and Functions | 3 | 10 Power Supply Recommendations | 14 |
| 7 Specifications | 4 | 11 Layout | 14 |
| 7.1 Absolute Maximum Ratings | 4 | 11.1 Layout Guidelines | 14 |
| 7.2 ESD Ratings | 4 | 11.2 Layout Example | 14 |
| 7.3 Recommended Operating Conditions | 4 | 12 Device and Documentation Support | 15 |
| 7.4 Thermal Information | 5 | 12.1 Related Links | 15 |
| 7.5 Electrical Characteristics | 5 | 12.2 Receiving Notification of Documentation Updates | 15 |
| 7.6 Timing Requirements | 6 | 12.3 Community Resources | 15 |
| 7.7 Typical Characteristics | 7 | 12.4 Trademarks | 15 |
| 8 Detailed Description | 8 | 12.5 Electrostatic Discharge Caution | 15 |
| 8.1 Overview | 8 | 12.6 Glossary | 15 |
| 8.2 Functional Block Diagrams | 8 | 13 Mechanical, Packaging, and Orderable Information | 15 |

4 Revision History

NOTE: Page numbers for previous revisions may differ from page numbers in the current version.

| Changes from Revision I (June 2015) to Revision J | Page |
|--|----------|
| • Added column for WSON pins | 3 |
| • Changed unit for last row of t_d row in <i>Timing Requirements</i> from "ms" to "s" and "TYP" to "NOM" in middle unit column ... | 6 |

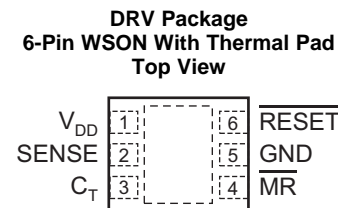
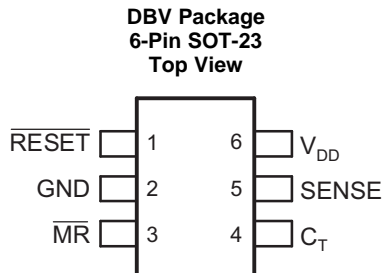
| Changes from Revision H (June 2012) to Revision I | Page |
|--|----------|
| • Added <i>ESD Ratings</i> table, <i>Feature Description</i> section, <i>Device Functional Modes</i> , <i>Application and Implementation</i> section, <i>Power Supply Recommendations</i> section, <i>Layout</i> section, <i>Device and Documentation Support</i> section, and <i>Mechanical, Packaging, and Orderable Information</i> section | 1 |

| Changes from Revision G (November, 2010) to Revision H | Page |
|--|----------|
| • Changed I_{SENSE} from μA to nA | 5 |

5 Device Comparison Table

| ORDERABLE PART NUMBER | NOMINAL SUPPLY VOLTAGE | THRESHOLD VOLTAGE (V_{IT}) |
|-----------------------|------------------------|--------------------------------|
| TPS3808G01QDRVRQ1 | Adjustable | 0.405 V |
| TPS3808G01QDBVRQ1 | | |
| TPS3808G12QDBVRQ1 | 1.2 V | 1.12 V |
| TPS3808G125QDBVRQ1 | 1.25 V | 1.16 V |
| TPS3808G15QDBVRQ1 | 1.5 V | 1.4 V |
| TPS3808G18QDBVRQ1 | 1.8 V | 1.67 V |
| TPS3808G30QDBVRQ1 | 3 V | 2.79 V |
| TPS3808G33QDBVRQ1 | 3.3 V | 3.07 V |
| TPS3808G50QDBVRQ1 | 5 V | 4.65 V |

6 Pin Configuration and Functions



Pin Functions

| NAME | PIN | | I/O | DESCRIPTION |
|--------------------|--------|-----|-----|---|
| | SOT-23 | WSN | | |
| C_T | 4 | 3 | I | Reset period programming pin. Connecting this pin to VDD through a 40-k Ω to 200-k Ω resistor or leaving it open results in fixed delay times (see Electrical Characteristics). Connecting this pin to a ground referenced capacitor ≥ 100 pF gives user-programmable delay time. See the Selecting the Reset Delay Time for more information. |
| GND | 2 | 5 | — | Ground |
| \overline{MR} | 3 | 4 | I | Manual reset. Driving this pin low asserts \overline{RESET} . \overline{MR} is internally tied to VDD by a 90-k Ω pullup resistor. |
| \overline{RESET} | 1 | 6 | O | Reset. This is an open-drain output that is driven to a low impedance state when \overline{RESET} is asserted (either the SENSE input is lower than the threshold voltage (V_{IT}) or the MR pin is set to a logic low). \overline{RESET} remains low (asserted) for the reset period after both SENSE is above V_{IT} and \overline{MR} is set to a logic high. A pullup resistor from 10 k Ω to 1 M Ω must be used on this pin and allows the reset pin to attain voltages higher than VDD. |
| SENSE | 5 | 2 | I | Voltage sense. This pin is connected to the voltage to be monitored. If the voltage at this terminal drops below the threshold voltage (V_{IT}), \overline{RESET} is asserted. |
| VDD | 6 | 1 | I | Supply voltage. It is good analog design practice to place a 0.1- μ F ceramic capacitor close to this pin. |
| Thermal Pad | — | Pad | — | Thermal pad; connect to ground plan to enhance thermal performance of the package. |

7 Specifications

7.1 Absolute Maximum Ratings

over operating junction temperature range (unless otherwise noted)⁽¹⁾

| | | MIN | MAX | UNIT |
|---|--|------|-------------------------|------|
| V _{DD} | Input voltage | -0.3 | 7 | V |
| V _{CT} | C _T voltage | -0.3 | (V _{DD} + 0.3) | V |
| V _{MR} , V _{RESET} , V _{SENSE} | $\overline{\text{MR}}$, $\overline{\text{RESET}}$, SENSE voltage | -0.3 | 7 | V |
| I _{RESET} | $\overline{\text{RESET}}$ pin current | | 5 | mA |
| T _J | Operating junction temperature ⁽²⁾ | -40 | 150 | °C |
| T _{stg} | Storage temperature | -65 | 150 | °C |

- (1) Stresses beyond those listed under *Absolute Maximum Ratings* may cause permanent damage to the device. These are stress ratings only, and functional operation of the device at these or any other conditions beyond those indicated under the *Electric Characteristics* is not implied. Exposure to absolute-maximum-rated conditions for extended periods may affect device reliability.
- (2) Due to the low dissipated power in this device, it is assumed that T_J = T_A.

7.2 ESD Ratings

| | | VALUE | UNIT |
|---|-------------------------|---|-------|
| TPS3808G125QDBVRQ1 IN SOT-23 PACKAGE | | | |
| V _(ESD) | Electrostatic discharge | Human body model (HBM), per AEC Q100-002 ⁽¹⁾ | ±2000 |
| | | Charged device model (CDM), per AEC Q100-011 | ±1000 |
| | | Machine Model (MM) | ±50 |
| TPS3808GXX-Q1 IN SOT-23 PACKAGE | | | |
| V _(ESD) | Electrostatic discharge | Human body model (HBM), per AEC Q100-002 ⁽¹⁾ | ±2000 |
| | | Charged device model (CDM), per AEC Q100-011 | ±500 |
| TPS3808G01QDRVRQ1 IN SON PACKAGE | | | |
| V _(ESD) | Electrostatic discharge | Human body model (HBM), per AEC Q100-002 ⁽¹⁾ | ±2000 |
| | | Charged device model (CDM), per AEC Q100-011 | ±500 |
| | | Machine Model (MM) | ±50 |

- (1) AEC Q100-002 indicates HBM stressing is done in accordance with the ANSI/ESDA/JEDEC JS-001 specification.

7.3 Recommended Operating Conditions

over operating free-air temperature range (unless otherwise noted)

| | MIN | NOM | MAX | UNIT |
|---|-----|-----|-----------------|------|
| V _{DD} input supply | 1.8 | | 6.5 | V |
| V _{SENSE} SENSE pin voltage | 0 | | V _{DD} | V |
| $\overline{\text{MR}}$ Manual reset pin voltage | 0 | | V _{DD} | V |

7.4 Thermal Information

| THERMAL METRIC ⁽¹⁾ | | TPS3808Gxx-Q1 | | UNIT |
|-------------------------------|--|---------------|------------|------|
| | | DBV (SOT-23) | DRV (WSON) | |
| | | 6 PINS | 6 PINS | |
| R _{θJA} | Junction-to-ambient thermal resistance | 180.9 | 178.1 | °C/W |
| R _{θJC(top)} | Junction-to-case (top) thermal resistance | 117.8 | 95.6 | °C/W |
| R _{θJB} | Junction-to-board thermal resistance | 27.8 | 135 | °C/W |
| ψ _{JT} | Junction-to-top characterization parameter | 18.9 | 6.3 | °C/W |
| ψ _{JB} | Junction-to-board characterization parameter | 27.3 | 136.6 | °C/W |
| R _{θJC(bot)} | Junction-to-case (bottom) thermal resistance | N/A | 7.3 | °C/W |

(1) For more information about traditional and new thermal metrics, see the [Semiconductor and IC Package Thermal Metrics](#) application report.

7.5 Electrical Characteristics

1.8 V ≤ V_{DD} ≤ 6.5 V, R_{LRESET} = 100 kΩ, C_{LRESET} = 50 pF, over operating temperature range (T_J = –40°C to +125°C) (unless otherwise noted), typical values at T_J = 25°C

| PARAMETER | TEST CONDITIONS | MIN | TYP | MAX | UNIT | |
|--------------------|---|--|--|---------------------|-------|------------------|
| V _{DD} | Input supply range | 1.8 | | 6.5 | V | |
| I _{DD} | Supply current (into V _{DD} pin) | V _{DD} = 3.3 V, $\overline{\text{RESET}}$ not asserted, MR, $\overline{\text{RESET}}$, C _T open | 2.4 | 5 | μA | |
| | | V _{DD} = 6.5 V, $\overline{\text{RESET}}$ not asserted, MR, $\overline{\text{RESET}}$, C _T open | 2.7 | 6 | | |
| V _{OL} | Low-level output voltage | 1.3 V ≤ V _{DD} < 1.8 V, I _{OL} = 0.4 mA | | 0.3 | V | |
| | | 1.8 V ≤ V _{DD} ≤ 6.5 V, I _{OL} = 1 mA | | 0.4 | | |
| | Power-up reset voltage ⁽¹⁾ | | | 0.8 | V | |
| V _{IT} | Negative-going input threshold accuracy | TPS3808G01-Q1 | –2% | ±1% | 2% | |
| | | V _{IT} ≤ 3.3 V | –1.5% | ±0.5% | 1.5% | |
| | | 3.3 V < V _{IT} ≤ 5 V | –2% | ±1% | 2% | |
| | | V _{IT} ≤ 3.3 V | –1.25% | ±0.5% | 1.25% | |
| | | –40°C < T _J < 85°C | | | | |
| | | 3.3 V < V _{IT} ≤ 5 V | –1.5% | ±0.5% | 1.5% | |
| V _{HYS} | Hysteresis on V _{IT} pin | TPS3808G01-Q1 | | 1.5 | 3 | %V _{IT} |
| | | –40°C < T _J < 85°C | | 1 | 2 | |
| | | | | 1 | 2.5 | |
| R _{MR} | $\overline{\text{MR}}$ internal pullup resistance | V _{SENSE} = V _{IT} | 70 | 90 | kΩ | |
| I _{SENSE} | Input current at SENSE pin | TPS3808G01-Q1 | –25 | 25 | nA | |
| | | V _{SENSE} = 6.5 V | | 1.7 | μA | |
| I _{OH} | $\overline{\text{RESET}}$ leakage current | V _{RESET} = 6.5 V, $\overline{\text{RESET}}$ not asserted | | 300 | nA | |
| C _{IN} | Input capacitance, any pin | C _T pin | V _{IN} = 0 V to V _{DD} | 5 | pF | |
| | | Other pins | V _{IN} = 0 V to 6.5 V | 5 | | |
| V _{IL} | $\overline{\text{MR}}$ logic low input | | 0 | 0.3 V _{DD} | V | |
| V _{IH} | $\overline{\text{MR}}$ logic high input | | 0.7 V _{DD} | V _{DD} | V | |

(1) Power-up reset voltage is the lowest supply voltage (V_{DD}) at which $\overline{\text{RESET}}$ becomes active (t_{rise(VDD)} ≥ 15 μs/V).

7.6 Timing Requirements

| | | | | MIN | NOM | MAX | UNIT |
|-----------|---|--|--|-------|------|------|---------------|
| t_d | $\overline{\text{RESET}}$ delay time | $C_T = \text{Open}$ | See Figure 1 | 12 | 20 | 28 | ms |
| | | $C_T = V_{DD}$ | | 180 | 300 | 420 | |
| | | $C_T = 100 \text{ pF}$ | | 0.75 | 1.25 | 1.75 | |
| | | $C_T = 180 \text{ nF}$ | | 0.7 | 1.2 | 1.7 | s |
| t_{pHL} | Propagation delay | $\overline{\text{MR}}$ to $\overline{\text{RESET}}$ | $V_{IH} = 0.7 V_{DD}, V_{IL} = 0.3 V_{DD}$ | 150 | | | ns |
| | High-level to low-level $\overline{\text{RESET}}$ delay | $\overline{\text{SENSE}}$ to $\overline{\text{RESET}}$ | $V_{IH} = 1.05 V_{IT}, V_{IL} = 0.95 V_{IT}$ | 20 | | | μs |
| t_w | Maximum transient duration | $\overline{\text{SENSE}}$ | $V_{IH} = 1.05 V_{IT}, V_{IL} = 0.95 V_{IT}$ | 20 | | | μs |
| | | $\overline{\text{MR}}$ | $V_{IH} = 0.7 V_{DD}, V_{IL} = 0.3 V_{DD}$ | 0.001 | | | |

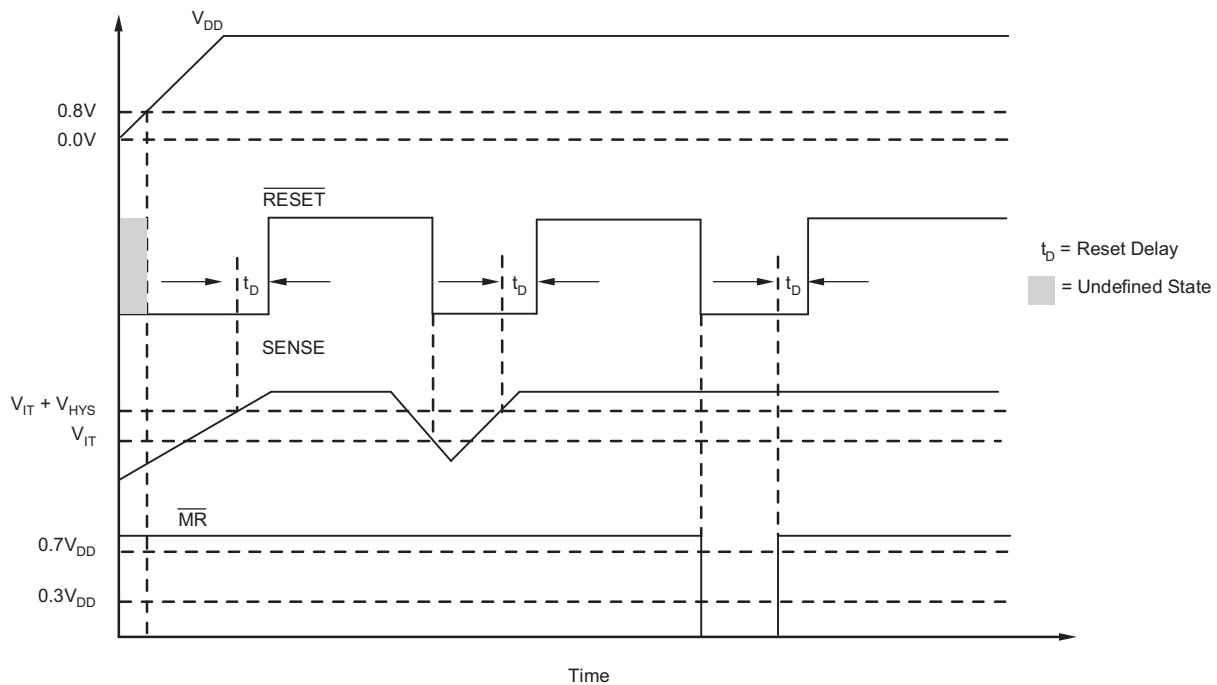


Figure 1. $\overline{\text{MR}}$ and $\overline{\text{SENSE}}$ Reset Timing Diagram

7.7 Typical Characteristics

At $T_J = 25^\circ\text{C}$, $V_{DD} = 3.3\text{ V}$, $R_{L\text{RESET}} = 100\text{ k}\Omega$, and $C_{L\text{RESET}} = 50\text{ pF}$ (unless otherwise noted)

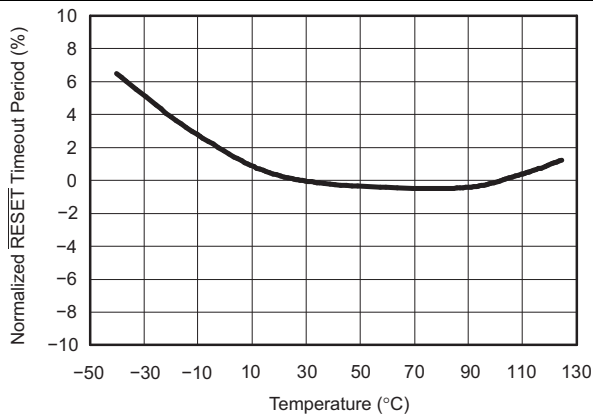


Figure 2. Normalized $\overline{\text{RESET}}$ Time-out Period vs Temperature ($C_T = \text{Open}$, $C_T = V_{DD}$, $C_T = \text{Any}$)

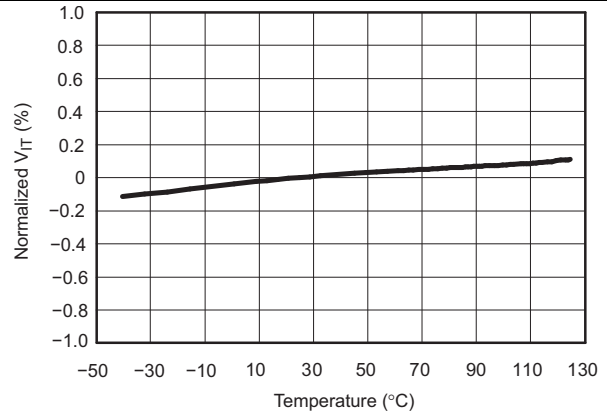


Figure 3. Normalized Sense Threshold Voltage (V_{IT}) vs Temperature

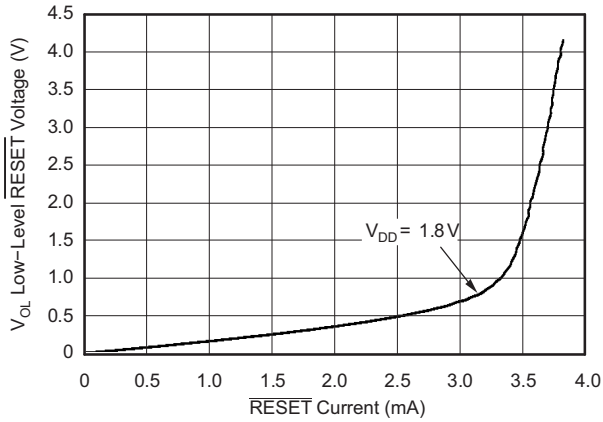


Figure 4. Low-Level $\overline{\text{RESET}}$ Voltage vs $\overline{\text{RESET}}$ Current

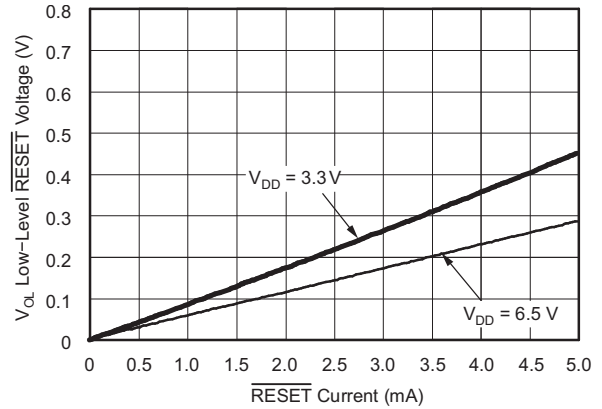


Figure 5. Low-Level $\overline{\text{RESET}}$ Voltage vs $\overline{\text{RESET}}$ Current

8 Detailed Description

8.1 Overview

The TPS3808Gxx-Q1 devices are low-current supervisory circuits used to monitor system voltages ranging from 0.4 V to 5 V. The devices assert an active low, open-drain $\overline{\text{RESET}}$ signal when the $\overline{\text{SENSE}}$ voltage drops below a preset threshold or when the manual reset ($\overline{\text{MR}}$) pin is asserted to a logic low. The $\overline{\text{RESET}}$ output remains low for the user-adjustable delay time after the $\overline{\text{SENSE}}$ voltage and $\overline{\text{MR}}$ return above their thresholds. The devices are also designed to be immune to short negative transients on the $\overline{\text{SENSE}}$ pin. The reset delay time can be configured by using the C_T pin. The delay can be configured to 20 ms by leaving the C_T pin floating, it can be configured to 300 ms by connecting the C_T pin to V_{DD} using a resistor, or can be configured from 1.25 ms to 10 s by connecting the C_T pin to an external capacitor.

8.2 Functional Block Diagrams

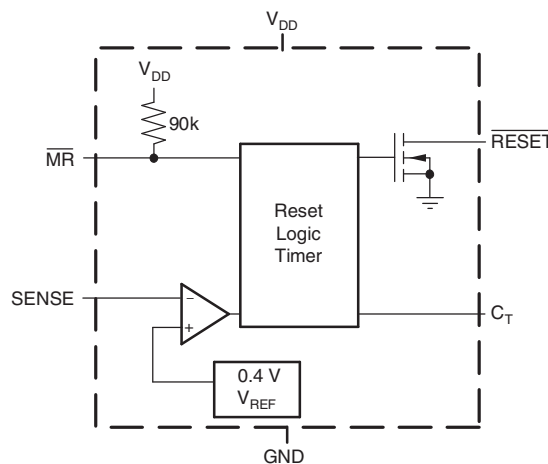


Figure 6. Adjustable-Voltage Version

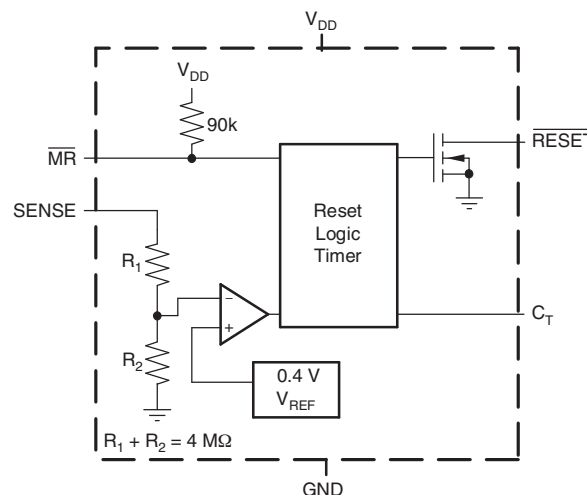


Figure 7. Fixed-Voltage Version

8.3 Feature Description

8.3.1 Immunity to SENSE Pin Voltage Transients

The TPS3808Gxx-Q1 is relatively immune to short negative transients on the SENSE pin. Sensitivity to transients is dependent on threshold overdrive, as shown in the *Maximum Transient Duration at Sense vs Sense Threshold Overdrive Voltage* graph (Figure 9). This graph shows the duration that the transient is below V_{IT} compared to the magnitude of the voltage drop below V_{IT} , or overdrive voltage. The overdrive voltage is expressed as a percentage of the V_{IT} threshold value. Any combination of transient duration and overdrive voltage that lies above the curve results in $\overline{\text{RESET}}$ being asserted low. Any transient that lies below the curve is ignored by the device.

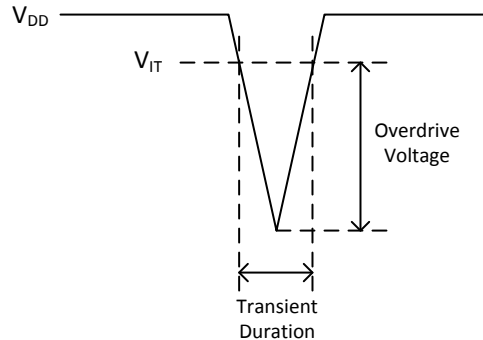


Figure 8. Threshold Overdrive Voltage

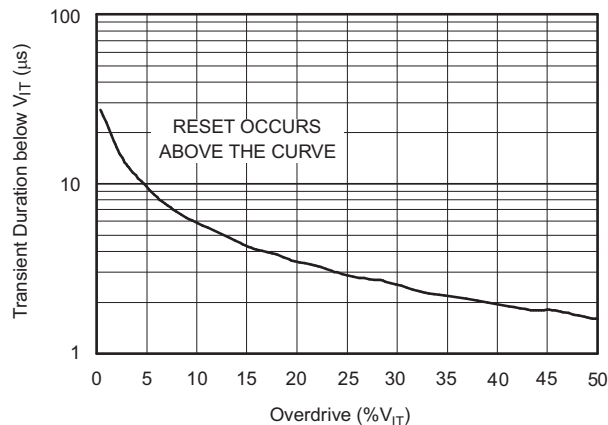


Figure 9. Maximum Transient Duration at Sense vs Sense Threshold Overdrive Voltage

8.3.2 SENSE Input

The SENSE input provides a terminal at which any system voltage can be monitored. If the voltage on this pin drops below V_{IT} , $\overline{\text{RESET}}$ is asserted low. The comparator has a built-in hysteresis to ensure smooth $\overline{\text{RESET}}$ assertions and deassertions. It is good analog design practice to put a 1-nF to 10-nF bypass capacitor on the SENSE input to reduce sensitivity to transients and layout parasitics.

Feature Description (continued)

The TPS3808G01-Q1 can be used to monitor any voltage rail down to 0.405 V using the circuit shown in Figure 10.

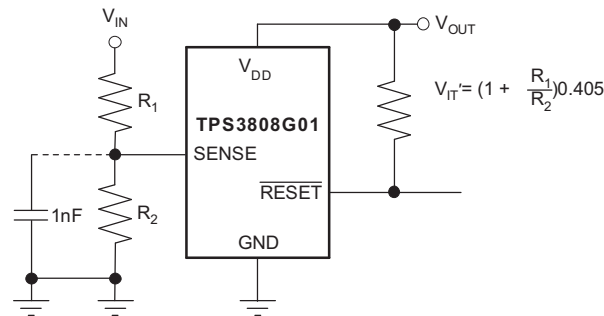


Figure 10. Using the TPS3808G01-Q1 to Monitor a User-Defined Threshold Voltage

8.3.3 Manual Reset ($\overline{\text{MR}}$) Input

The manual reset ($\overline{\text{MR}}$) input allows a processor or other logic circuits to initiate a reset. A logic low ($0.3 V_{\text{DD}}$) on $\overline{\text{MR}}$ causes $\overline{\text{RESET}}$ to assert low. After $\overline{\text{MR}}$ returns to a logic high and SENSE is above its reset threshold, $\overline{\text{RESET}}$ is deasserted high after the user-defined reset delay expires. $\overline{\text{MR}}$ is internally tied to V_{DD} using a 90-k Ω resistor, so this pin can be left unconnected if $\overline{\text{MR}}$ is not used.

See Figure 11 for how $\overline{\text{MR}}$ can be used to monitor multiple system voltages. If the logic signal driving $\overline{\text{MR}}$ does not go fully to V_{DD} , there will be some additional current draw into V_{DD} as a result of the internal pullup resistor on $\overline{\text{MR}}$. To minimize current draw, a logic-level FET can be used as shown in Figure 12.

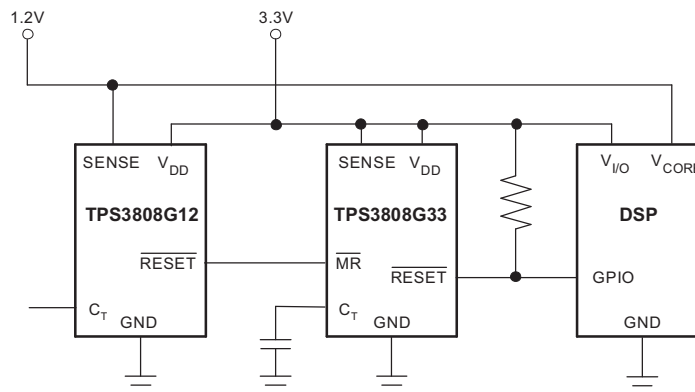


Figure 11. Using $\overline{\text{MR}}$ to Monitor Multiple System Voltages

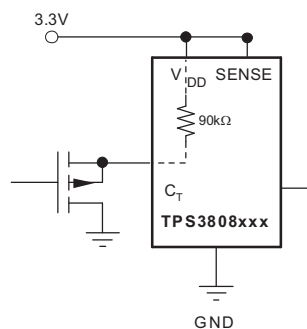


Figure 12. Using an External MOSFET to Minimize I_{DD} When $\overline{\text{MR}}$ Signal Does Not Go to V_{DD}

Feature Description (continued)

8.3.4 Selecting the Reset Delay Time

The TPS3808Gxx-Q1 device has three options for setting the $\overline{\text{RESET}}$ delay time as shown in Figure 13. Figure 13 (a) shows the configuration for a fixed 300-ms typical delay time by tying C_T to V_{DD} ; a resistor from 40 k Ω to 200 k Ω must be used. Supply current is not affected by the choice of resistor. Figure 13 (b) shows a fixed 20-ms delay time by leaving the C_T pin open. Figure 13 (c) shows a ground referenced capacitor connected to C_T for a user-defined program time from 1.25 ms to 10 s.

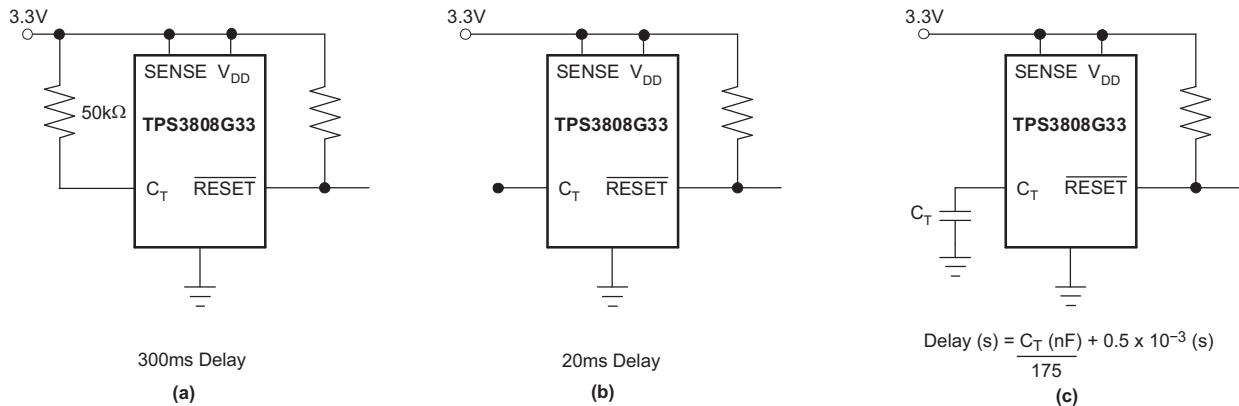


Figure 13. Configuration Used to Set the $\overline{\text{RESET}}$ Delay Time

The capacitor C_T should be ≥ 100 pF nominal value for the TPS3808Gxx-Q1 to recognize the capacitor is present. Use Equation 1 to calculate the capacitor value for a given delay time.

$$C_T \text{ (nF)} = \left[t_D \text{ (s)} - 0.5 \times 10^{-3} \text{ (s)} \right] \times 175 \quad (1)$$

The reset delay time is determined by the time it takes an on-chip precision 220-nA current source to charge the external capacitor to 1.23 V. When $\overline{\text{RESET}}$ asserts low, the capacitor is discharged. When the $\overline{\text{RESET}}$ conditions are cleared, the internal current source is enabled and begins to charge the external capacitor. When the voltage on this capacitor reaches 1.23 V, $\overline{\text{RESET}}$ deasserts. A low-leakage type capacitor such as a ceramic should be used and that stray capacitance around this pin may cause errors in the reset delay time.

8.4 Device Functional Modes

Whenever $\overline{\text{MR}}$ pin is set to a logic high and the SENSE input pin is higher than V_{IT} , the open-drain $\overline{\text{RESET}}$ signal is deasserted high. If $\overline{\text{MR}}$ pin is set to a logic low or the SENSE input pin falls lower than V_{IT} , then $\overline{\text{RESET}}$ is asserted low. Table 1 is a truth table that describes these operating modes.

Table 1. Truth Table

| $\overline{\text{MR}}$ | SENSE > V_{IT} | $\overline{\text{RESET}}$ |
|------------------------|------------------|---------------------------|
| L | 0 | L |
| L | 1 | L |
| H | 0 | L |
| H | 1 | H |

9 Applications and Implementation

NOTE

Information in the following applications sections is not part of the TI component specification, and TI does not warrant its accuracy or completeness. TI's customers are responsible for determining suitability of components for their purposes. Customers should validate and test their design implementation to confirm system functionality.

9.1 Application Information

The TPS3808Gxx-Q1 microprocessor supervisory product family is designed to assert a $\overline{\text{RESET}}$ signal when either the SENSE pin voltage drops below V_{IT} or the manual reset ($\overline{\text{MR}}$) is driven low. The $\overline{\text{RESET}}$ output remains asserted for a user-adjustable time after both the manual reset ($\overline{\text{MR}}$) and SENSE voltages return above the respective thresholds. A broad range of voltage threshold and reset delay time adjustments are available, allowing these devices to be used in a variety of applications. Reset threshold voltages can be factory-set from 0.82 V to 3.3 V or from 4.4 V to 5 V, while the TPS3808G01-Q1 can be set to any voltage above 0.405 V using an external resistor divider. Two preset delay times are also user-selectable: connecting the C_T pin to V_{DD} results in a 300-ms reset delay, while leaving the C_T pin open yields a 20-ms reset delay. Additionally, connecting a capacitor between C_T and GND allows the designer to select any reset delay period from 1.25 ms to 10 s.

9.2 Typical Application

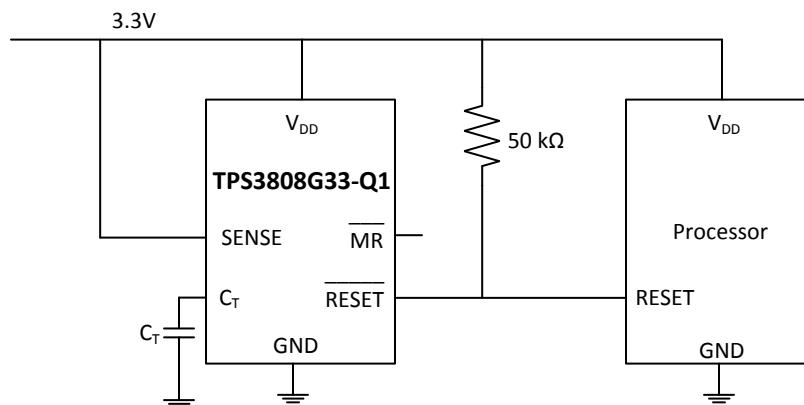


Figure 14. TPS3808G33-Q1 Typical Application

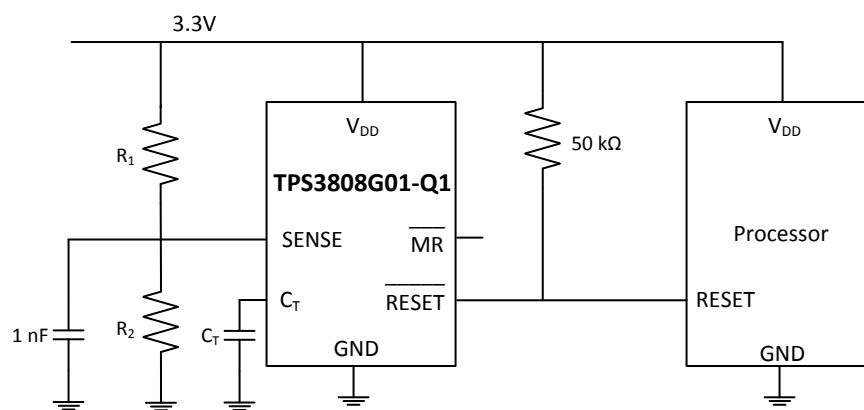


Figure 15. TPS3808G01-Q1 Typical Application

Typical Application (continued)

9.2.1 Design Requirements

The TPS3808Gxx-Q1 device must monitor a 3.3-V input voltage, and drive an active-low reset to the processor when the input voltage drops below the recommended operating voltage of the processor.

9.2.2 Detailed Design Procedure

To monitor the 3.3-V input voltage, TPS3808G33-Q1 is used and the 3.3-V supply is connected directly to the SENSE pin. The open-drain RESET output is connected to V_{DD} through a 50-kΩ resistor. To select the output delay on the RESET pin, connect the C_T pin to V_{DD}, left floating, or connect through a capacitor to GND. For more details on selecting this delay, see [Selecting the Reset Delay Time](#).

When using TPS3808G01-Q1, select R1 and R2 resistor values to select the threshold voltage based on the following equation: $V_{IT} = (1 + R1 / R2) \times 0.405$.

9.2.3 Application Curves

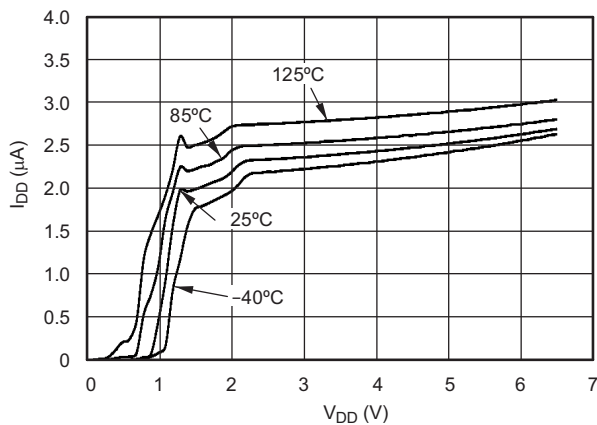


Figure 16. Supply Current vs Supply Voltage

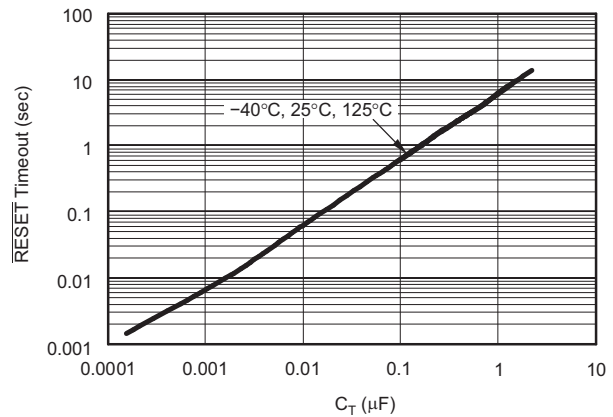


Figure 17. RESET Time-out Period vs C_T

10 Power Supply Recommendations

The TPS3808Gxx-Q1 devices are designed to operate from an input supply from 1.8 V to 6.5 V. TI recommends placing a 0.1- μ F capacitor near the V_{DD} pin.

11 Layout

11.1 Layout Guidelines

TI recommends placing the 0.1- μ F decoupling capacitor close to the V_{DD} pin. The V_{DD} trace should be able to carry 6 μ A without a significant drop in voltage.

11.2 Layout Example

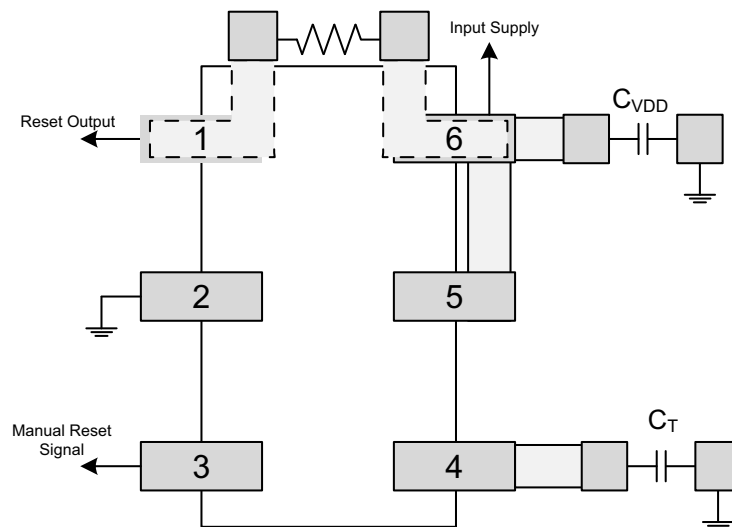


Figure 18. Recommended Layout

12 Device and Documentation Support

12.1 Related Links

The table below lists quick access links. Categories include technical documents, support and community resources, tools and software, and quick access to sample or buy.

Table 2. Related Links

| PARTS | PRODUCT FOLDER | SAMPLE & BUY | TECHNICAL DOCUMENTS | TOOLS & SOFTWARE | SUPPORT & COMMUNITY |
|----------------|----------------------------|----------------------------|----------------------------|----------------------------|----------------------------|
| TPS3808G01-Q1 | Click here | Click here | Click here | Click here | Click here |
| TPS3808G12-Q1 | Click here | Click here | Click here | Click here | Click here |
| TPS3808G125-Q1 | Click here | Click here | Click here | Click here | Click here |
| TPS3808G15-Q1 | Click here | Click here | Click here | Click here | Click here |
| TPS3808G18-Q1 | Click here | Click here | Click here | Click here | Click here |
| TPS3808G30-Q1 | Click here | Click here | Click here | Click here | Click here |
| TPS3808G33-Q1 | Click here | Click here | Click here | Click here | Click here |
| TPS3808G50-Q1 | Click here | Click here | Click here | Click here | Click here |

12.2 Receiving Notification of Documentation Updates

To receive notification of documentation updates, navigate to the device product folder on ti.com. In the upper right corner, click on *Alert me* to register and receive a weekly digest of any product information that has changed. For change details, review the revision history included in any revised document.

12.3 Community Resources

The following links connect to TI community resources. Linked contents are provided "AS IS" by the respective contributors. They do not constitute TI specifications and do not necessarily reflect TI's views; see TI's [Terms of Use](#).

TI E2E™ Online Community *TI's Engineer-to-Engineer (E2E) Community*. Created to foster collaboration among engineers. At e2e.ti.com, you can ask questions, share knowledge, explore ideas and help solve problems with fellow engineers.

Design Support *TI's Design Support* Quickly find helpful E2E forums along with design support tools and contact information for technical support.

12.4 Trademarks

E2E is a trademark of Texas Instruments.
All other trademarks are the property of their respective owners.

12.5 Electrostatic Discharge Caution



These devices have limited built-in ESD protection. The leads should be shorted together or the device placed in conductive foam during storage or handling to prevent electrostatic damage to the MOS gates.

12.6 Glossary

SLYZ022 — *TI Glossary*.

This glossary lists and explains terms, acronyms, and definitions.

13 Mechanical, Packaging, and Orderable Information

The following pages include mechanical, packaging, and orderable information. This information is the most current data available for the designated devices. This data is subject to change without notice and revision of this document. For browser-based versions of this data sheet, refer to the left-hand navigation.

PACKAGING INFORMATION

| Orderable Device | Status (1) | Package Type | Package Drawing | Pins | Package Qty | Eco Plan (2) | Lead finish/ Ball material (6) | MSL Peak Temp (3) | Op Temp (°C) | Device Marking (4/5) | Samples |
|--------------------|---------------|--------------|-----------------|------|-------------|-----------------|--------------------------------------|----------------------|--------------|-------------------------|-------------------------|
| TPS3808G01QDBVRQ1 | ACTIVE | SOT-23 | DBV | 6 | 3000 | RoHS & Green | NIPDAU | Level-1-260C-UNLIM | -40 to 125 | BAZ | Samples |
| TPS3808G01QDRVRQ1 | ACTIVE | WSON | DRV | 6 | 3000 | RoHS & Green | NIPDAU | Level-2-260C-1 YEAR | -40 to 125 | PSJQ | Samples |
| TPS3808G125QDBVRQ1 | ACTIVE | SOT-23 | DBV | 6 | 3000 | RoHS & Green | NIPDAU | Level-1-260C-UNLIM | -40 to 125 | (EQ125, QWZ) | Samples |
| TPS3808G12QDBVRQ1 | ACTIVE | SOT-23 | DBV | 6 | 3000 | RoHS & Green | NIPDAU | Level-1-260C-UNLIM | -40 to 125 | CEM | Samples |
| TPS3808G15QDBVRQ1 | ACTIVE | SOT-23 | DBV | 6 | 3000 | RoHS & Green | NIPDAU | Level-1-260C-UNLIM | -40 to 125 | OFV | Samples |
| TPS3808G18QDBVRQ1 | ACTIVE | SOT-23 | DBV | 6 | 3000 | RoHS & Green | NIPDAU | Level-1-260C-UNLIM | -40 to 125 | OBZ | Samples |
| TPS3808G30QDBVRQ1 | ACTIVE | SOT-23 | DBV | 6 | 3000 | RoHS & Green | NIPDAU | Level-1-260C-UNLIM | -40 to 125 | AVP | Samples |
| TPS3808G33QDBVRQ1 | ACTIVE | SOT-23 | DBV | 6 | 3000 | RoHS & Green | NIPDAU | Level-1-260C-UNLIM | -40 to 125 | AVQ | Samples |
| TPS3808G50QDBVRQ1 | ACTIVE | SOT-23 | DBV | 6 | 3000 | RoHS & Green | NIPDAU | Level-1-260C-UNLIM | -40 to 125 | CEL | Samples |

(1) The marketing status values are defined as follows:

ACTIVE: Product device recommended for new designs.

LIFEBUY: TI has announced that the device will be discontinued, and a lifetime-buy period is in effect.

NRND: Not recommended for new designs. Device is in production to support existing customers, but TI does not recommend using this part in a new design.

PREVIEW: Device has been announced but is not in production. Samples may or may not be available.

OBSOLETE: TI has discontinued the production of the device.

(2) **RoHS:** TI defines "RoHS" to mean semiconductor products that are compliant with the current EU RoHS requirements for all 10 RoHS substances, including the requirement that RoHS substance do not exceed 0.1% by weight in homogeneous materials. Where designed to be soldered at high temperatures, "RoHS" products are suitable for use in specified lead-free processes. TI may reference these types of products as "Pb-Free".

RoHS Exempt: TI defines "RoHS Exempt" to mean products that contain lead but are compliant with EU RoHS pursuant to a specific EU RoHS exemption.

Green: TI defines "Green" to mean the content of Chlorine (Cl) and Bromine (Br) based flame retardants meet JS709B low halogen requirements of <=1000ppm threshold. Antimony trioxide based flame retardants must also meet the <=1000ppm threshold requirement.

(3) MSL, Peak Temp. - The Moisture Sensitivity Level rating according to the JEDEC industry standard classifications, and peak solder temperature.

(4) There may be additional marking, which relates to the logo, the lot trace code information, or the environmental category on the device.

(5) Multiple Device Markings will be inside parentheses. Only one Device Marking contained in parentheses and separated by a "~" will appear on a device. If a line is indented then it is a continuation of the previous line and the two combined represent the entire Device Marking for that device.

(6) Lead finish/Ball material - Orderable Devices may have multiple material finish options. Finish options are separated by a vertical ruled line. Lead finish/Ball material values may wrap to two lines if the finish value exceeds the maximum column width.

Important Information and Disclaimer:The information provided on this page represents TI's knowledge and belief as of the date that it is provided. TI bases its knowledge and belief on information provided by third parties, and makes no representation or warranty as to the accuracy of such information. Efforts are underway to better integrate information from third parties. TI has taken and continues to take reasonable steps to provide representative and accurate information but may not have conducted destructive testing or chemical analysis on incoming materials and chemicals. TI and TI suppliers consider certain information to be proprietary, and thus CAS numbers and other limited information may not be available for release.

In no event shall TI's liability arising out of such information exceed the total purchase price of the TI part(s) at issue in this document sold by TI to Customer on an annual basis.

OTHER QUALIFIED VERSIONS OF TPS3808-Q1 :

- Catalog : [TPS3808](#)
- Enhanced Product : [TPS3808-EP](#)

NOTE: Qualified Version Definitions:

- Catalog - TI's standard catalog product
- Enhanced Product - Supports Defense, Aerospace and Medical Applications

TAPE AND REEL INFORMATION

QUADRANT ASSIGNMENTS FOR PIN 1 ORIENTATION IN TAPE


*All dimensions are nominal

| Device | Package Type | Package Drawing | Pins | SPQ | Reel Diameter (mm) | Reel Width W1 (mm) | A0 (mm) | B0 (mm) | K0 (mm) | P1 (mm) | W (mm) | Pin1 Quadrant |
|--------------------|--------------|-----------------|------|------|--------------------|--------------------|---------|---------|---------|---------|--------|---------------|
| TPS3808G01QDBVRQ1 | SOT-23 | DBV | 6 | 3000 | 179.0 | 8.4 | 3.2 | 3.2 | 1.4 | 4.0 | 8.0 | Q3 |
| TPS3808G01QDRVRQ1 | WSON | DRV | 6 | 3000 | 180.0 | 8.4 | 2.3 | 2.3 | 1.15 | 4.0 | 8.0 | Q2 |
| TPS3808G125QDBVRQ1 | SOT-23 | DBV | 6 | 3000 | 179.0 | 8.4 | 3.2 | 3.2 | 1.4 | 4.0 | 8.0 | Q3 |
| TPS3808G12QDBVRQ1 | SOT-23 | DBV | 6 | 3000 | 179.0 | 8.4 | 3.2 | 3.2 | 1.4 | 4.0 | 8.0 | Q3 |
| TPS3808G15QDBVRQ1 | SOT-23 | DBV | 6 | 3000 | 179.0 | 8.4 | 3.2 | 3.2 | 1.4 | 4.0 | 8.0 | Q3 |
| TPS3808G18QDBVRQ1 | SOT-23 | DBV | 6 | 3000 | 179.0 | 8.4 | 3.2 | 3.2 | 1.4 | 4.0 | 8.0 | Q3 |
| TPS3808G30QDBVRQ1 | SOT-23 | DBV | 6 | 3000 | 179.0 | 8.4 | 3.2 | 3.2 | 1.4 | 4.0 | 8.0 | Q3 |
| TPS3808G33QDBVRQ1 | SOT-23 | DBV | 6 | 3000 | 179.0 | 8.4 | 3.2 | 3.2 | 1.4 | 4.0 | 8.0 | Q3 |
| TPS3808G50QDBVRQ1 | SOT-23 | DBV | 6 | 3000 | 179.0 | 8.4 | 3.2 | 3.2 | 1.4 | 4.0 | 8.0 | Q3 |

TAPE AND REEL BOX DIMENSIONS


*All dimensions are nominal

| Device | Package Type | Package Drawing | Pins | SPQ | Length (mm) | Width (mm) | Height (mm) |
|--------------------|--------------|-----------------|------|------|-------------|------------|-------------|
| TPS3808G01QDBVRQ1 | SOT-23 | DBV | 6 | 3000 | 200.0 | 183.0 | 25.0 |
| TPS3808G01QDRVRQ1 | WSON | DRV | 6 | 3000 | 210.0 | 185.0 | 35.0 |
| TPS3808G125QDBVRQ1 | SOT-23 | DBV | 6 | 3000 | 200.0 | 183.0 | 25.0 |
| TPS3808G12QDBVRQ1 | SOT-23 | DBV | 6 | 3000 | 200.0 | 183.0 | 25.0 |
| TPS3808G15QDBVRQ1 | SOT-23 | DBV | 6 | 3000 | 200.0 | 183.0 | 25.0 |
| TPS3808G18QDBVRQ1 | SOT-23 | DBV | 6 | 3000 | 200.0 | 183.0 | 25.0 |
| TPS3808G30QDBVRQ1 | SOT-23 | DBV | 6 | 3000 | 200.0 | 183.0 | 25.0 |
| TPS3808G33QDBVRQ1 | SOT-23 | DBV | 6 | 3000 | 200.0 | 183.0 | 25.0 |
| TPS3808G50QDBVRQ1 | SOT-23 | DBV | 6 | 3000 | 200.0 | 183.0 | 25.0 |

GENERIC PACKAGE VIEW

DRV 6

WSON - 0.8 mm max height

PLASTIC SMALL OUTLINE - NO LEAD



Images above are just a representation of the package family, actual package may vary.
Refer to the product data sheet for package details.

4206925/F



4222173/B 04/2018

NOTES:

1. All linear dimensions are in millimeters. Any dimensions in parenthesis are for reference only. Dimensioning and tolerancing per ASME Y14.5M.
2. This drawing is subject to change without notice.
3. The package thermal pad must be soldered to the printed circuit board for thermal and mechanical performance.

EXAMPLE BOARD LAYOUT

DRV0006A

WSON - 0.8 mm max height

PLASTIC SMALL OUTLINE - NO LEAD



LAND PATTERN EXAMPLE
SCALE:25X



SOLDER MASK DETAILS

4222173/B 04/2018

NOTES: (continued)

4. This package is designed to be soldered to a thermal pad on the board. For more information, see Texas Instruments literature number SLUA271 (www.ti.com/lit/sluea271).
5. Vias are optional depending on application, refer to device data sheet. If some or all are implemented, recommended via locations are shown.

EXAMPLE STENCIL DESIGN

DRV0006A

WSON - 0.8 mm max height

PLASTIC SMALL OUTLINE - NO LEAD



SOLDER PASTE EXAMPLE
BASED ON 0.125 mm THICK STENCIL

EXPOSED PAD #7
88% PRINTED SOLDER COVERAGE BY AREA UNDER PACKAGE
SCALE:30X

4222173/B 04/2018

NOTES: (continued)

6. Laser cutting apertures with trapezoidal walls and rounded corners may offer better paste release. IPC-7525 may have alternate design recommendations.

DBV0006A



PACKAGE OUTLINE

SOT-23 - 1.45 mm max height

SMALL OUTLINE TRANSISTOR



4214840/G 08/2024

NOTES:

1. All linear dimensions are in millimeters. Any dimensions in parenthesis are for reference only. Dimensioning and tolerancing per ASME Y14.5M.
2. This drawing is subject to change without notice.
3. Body dimensions do not include mold flash or protrusion. Mold flash and protrusion shall not exceed 0.25 per side.
4. Leads 1,2,3 may be wider than leads 4,5,6 for package orientation.
5. Reference JEDEC MO-178.

EXAMPLE BOARD LAYOUT

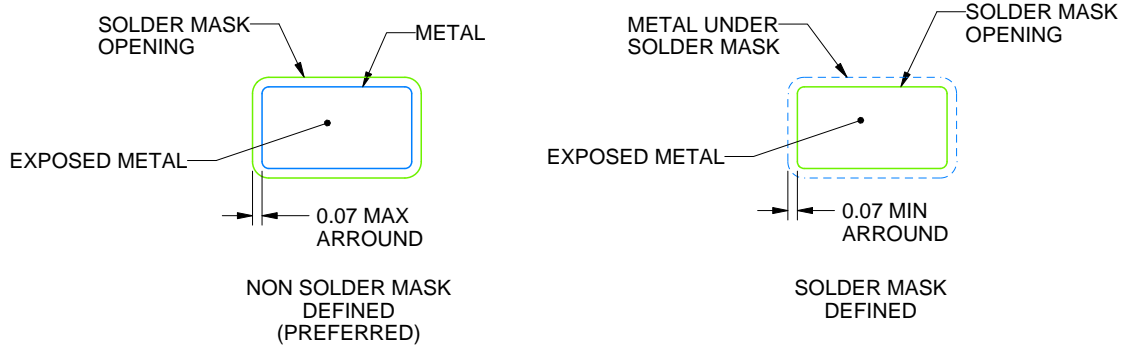
DBV0006A

SOT-23 - 1.45 mm max height

SMALL OUTLINE TRANSISTOR



LAND PATTERN EXAMPLE
EXPOSED METAL SHOWN
SCALE:15X



SOLDER MASK DETAILS

4214840/G 08/2024

NOTES: (continued)

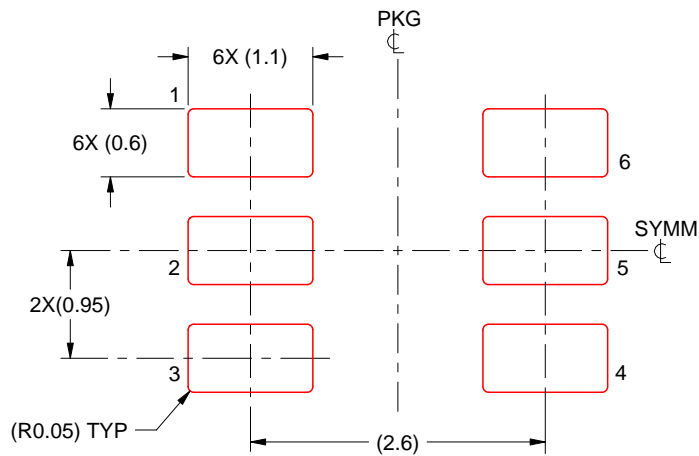
6. Publication IPC-7351 may have alternate designs.
7. Solder mask tolerances between and around signal pads can vary based on board fabrication site.

EXAMPLE STENCIL DESIGN

DBV0006A

SOT-23 - 1.45 mm max height

SMALL OUTLINE TRANSISTOR



SOLDER PASTE EXAMPLE
BASED ON 0.125 mm THICK STENCIL
SCALE:15X

4214840/G 08/2024

NOTES: (continued)

8. Laser cutting apertures with trapezoidal walls and rounded corners may offer better paste release. IPC-7525 may have alternate design recommendations.
9. Board assembly site may have different recommendations for stencil design.

IMPORTANT NOTICE AND DISCLAIMER

TI PROVIDES TECHNICAL AND RELIABILITY DATA (INCLUDING DATA SHEETS), DESIGN RESOURCES (INCLUDING REFERENCE DESIGNS), APPLICATION OR OTHER DESIGN ADVICE, WEB TOOLS, SAFETY INFORMATION, AND OTHER RESOURCES "AS IS" AND WITH ALL FAULTS, AND DISCLAIMS ALL WARRANTIES, EXPRESS AND IMPLIED, INCLUDING WITHOUT LIMITATION ANY IMPLIED WARRANTIES OF MERCHANTABILITY, FITNESS FOR A PARTICULAR PURPOSE OR NON-INFRINGEMENT OF THIRD PARTY INTELLECTUAL PROPERTY RIGHTS.

These resources are intended for skilled developers designing with TI products. You are solely responsible for (1) selecting the appropriate TI products for your application, (2) designing, validating and testing your application, and (3) ensuring your application meets applicable standards, and any other safety, security, regulatory or other requirements.

These resources are subject to change without notice. TI grants you permission to use these resources only for development of an application that uses the TI products described in the resource. Other reproduction and display of these resources is prohibited. No license is granted to any other TI intellectual property right or to any third party intellectual property right. TI disclaims responsibility for, and you will fully indemnify TI and its representatives against, any claims, damages, costs, losses, and liabilities arising out of your use of these resources.

TI's products are provided subject to [TI's Terms of Sale](#) or other applicable terms available either on [ti.com](https://www.ti.com) or provided in conjunction with such TI products. TI's provision of these resources does not expand or otherwise alter TI's applicable warranties or warranty disclaimers for TI products.

TI objects to and rejects any additional or different terms you may have proposed.

Mailing Address: Texas Instruments, Post Office Box 655303, Dallas, Texas 75265
Copyright © 2024, Texas Instruments Incorporated