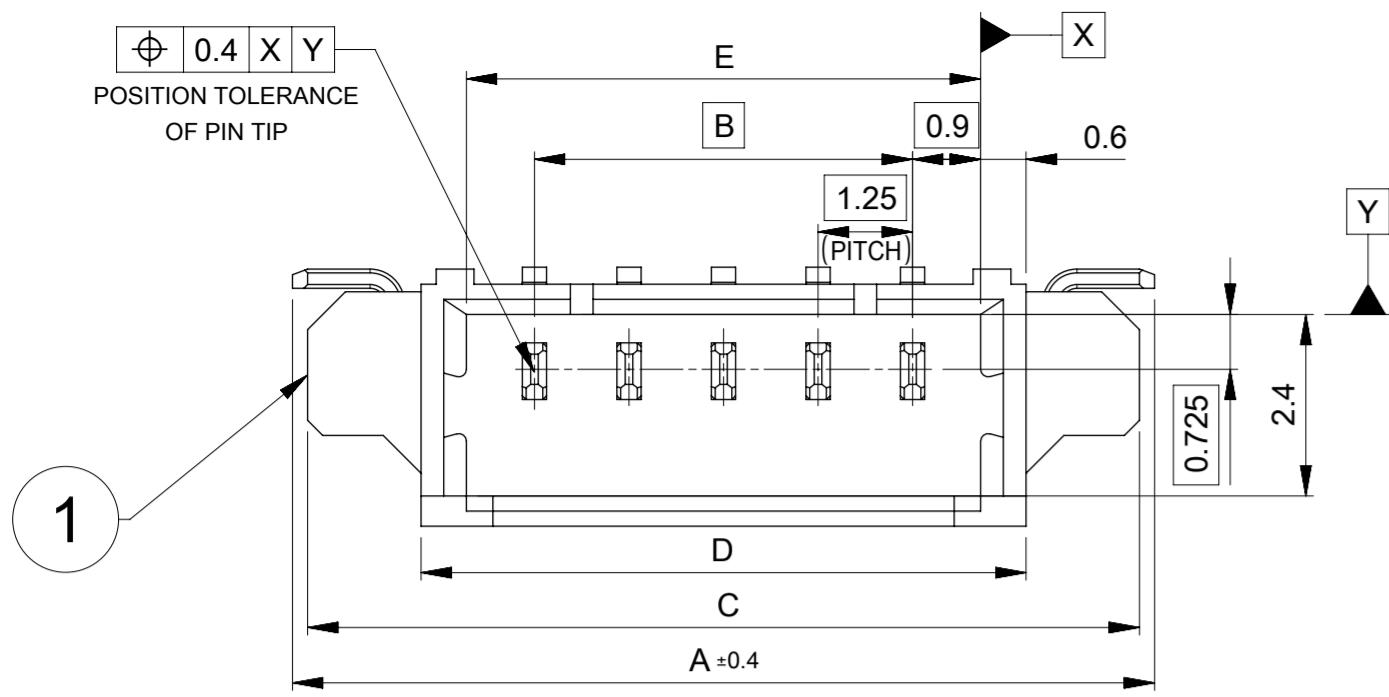
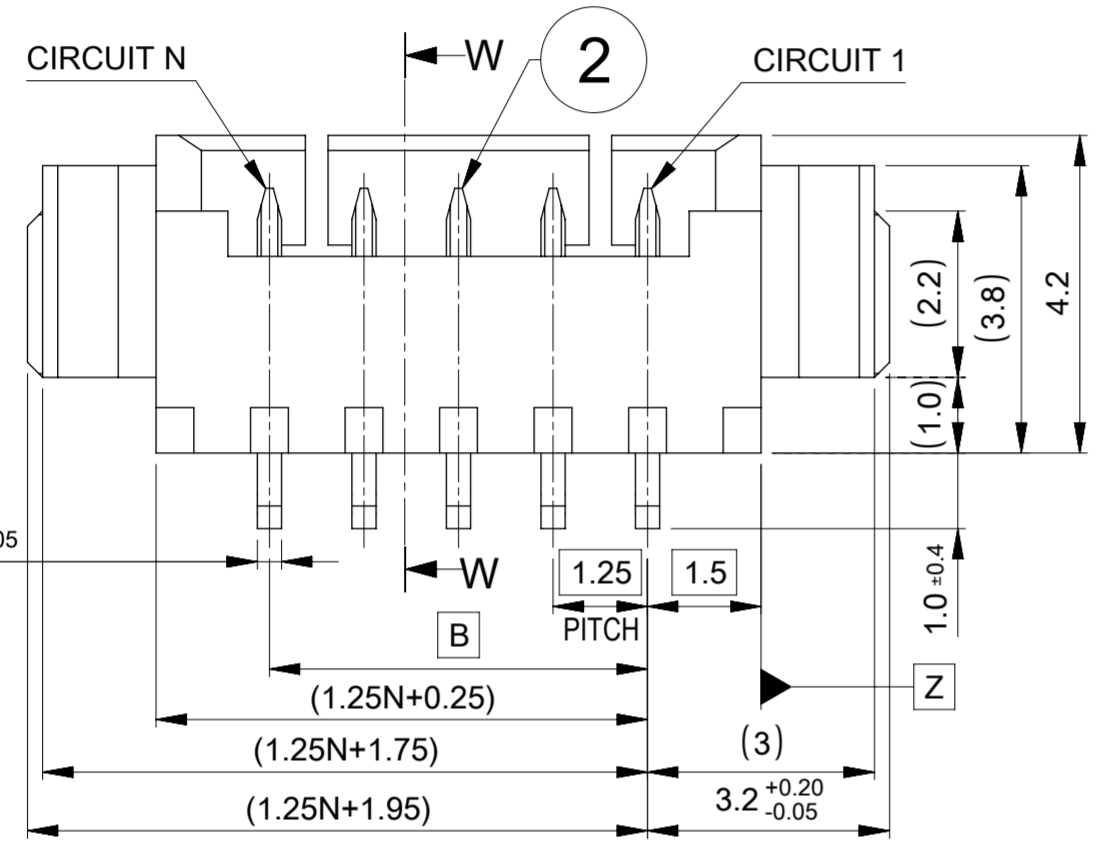


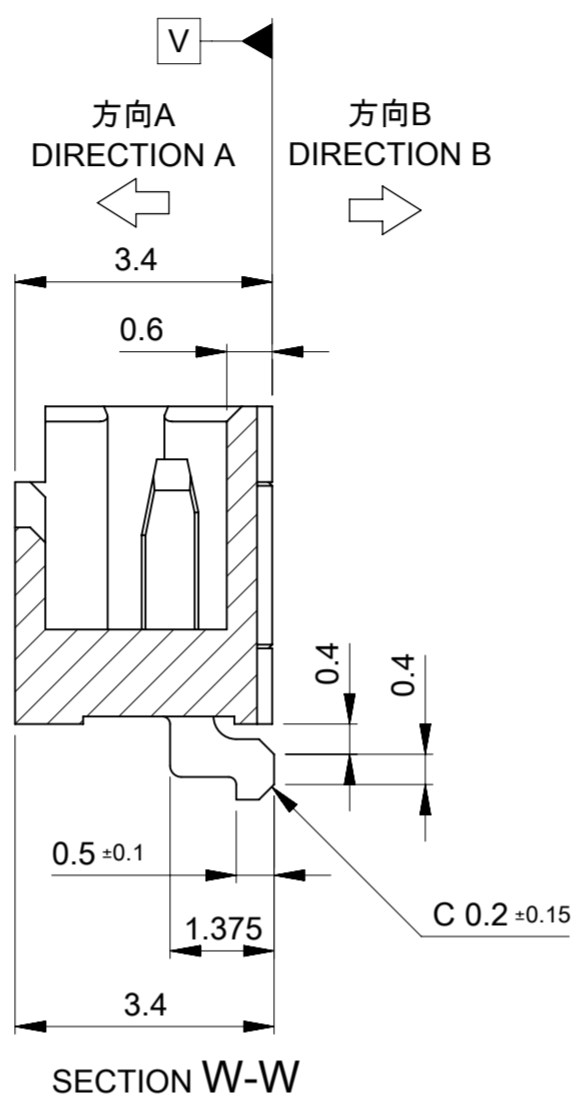
⌀ 0.4 X Y
POSITION TOLERANCE
OF PIN TIP



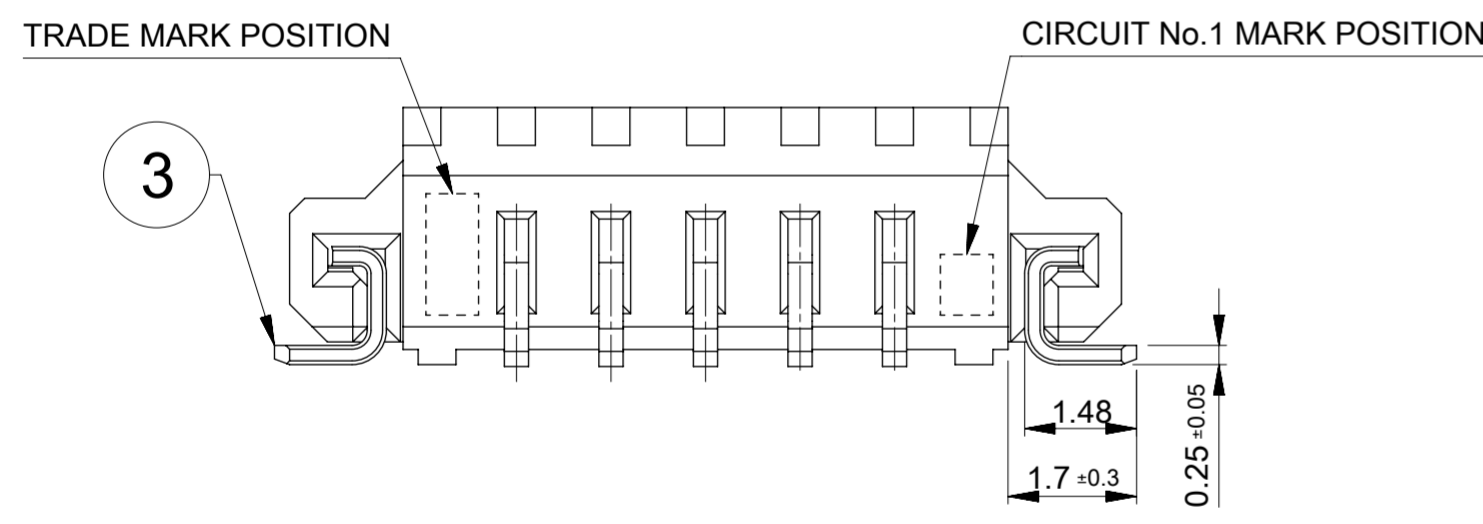
1



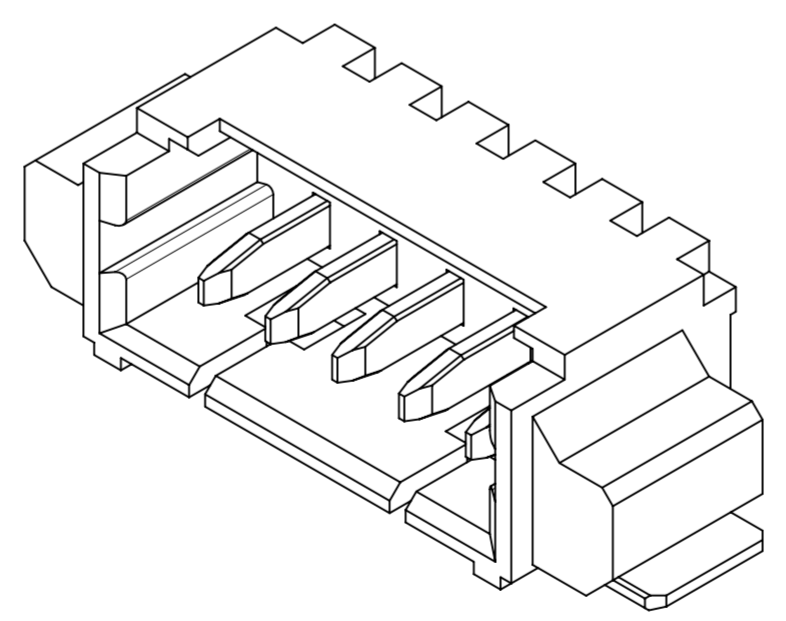
2



SECTION W-W

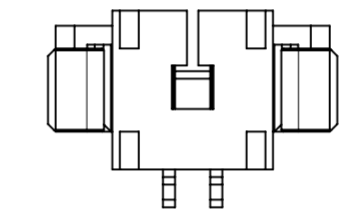


3

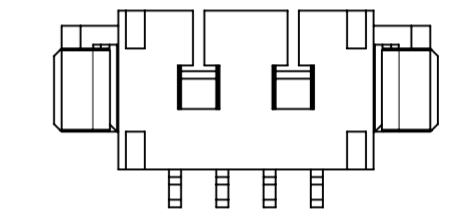


NOTES

- 1. 材料およびめっき仕様：TABLE 1 参照
MATERIAL AND PLATING：REFER TO TABLE 1
- 2. 適用製品及び各種仕様書はSHEET 5を参照のこと
REFER TO SHEET 5 ABOUT APPLICABLE PRODUCTS AND VARIOUS SPECIFICATIONS
- 3. 梱包形態：SHEET 3 参照
PACKAGING INFORMATION：SEE SHEET 3
- 4. テールおよびネイルのズレは基準面 $\square V$ に対しA方向に0.05 MAX、B方向に0.1 MAX
MISALIGNMENT OF TAILS AND NAILS FROM $\square V$,
DIRECTION A: 0.05 MAX, DIRECTION B: 0.1 MAX
- 5. 端子テール部およびネイルの平坦度は0.1以下
COPLANARITY OF TAIL AND NAIL TO BE 0.1 MAX
- 6. 本製品は錫めっき品です。金めっき品は532610000-SD 000をご参照ください
THIS PRODUCT IS TIN PLATING TYPE.
PLEASE REFER TO 532610000-SD FOR GOLD PLATING TYPE.
- 7. ロックの数は、2,3極は1ロック、4極以上は2ロック。
LOCKING WINDOW: ONE PLACE FOR 2 AND 3 CIRCUIT,
AND TWO PLACES FOR MORE THAN 4 CIRCUIT.



7. 2, 3極形状 (1ロック)
FIGURE OF 2, 3 CIRCUIT (1 LOCK)



7. 4極以上ロック形状 (2ロック)
FIGURE OF MORE THAN 4 CIRCUIT (2 LOCKS)

21.8	23	26	20	26.4	---	532611771	17
19.3	20.5	23.5	17.5	23.9	---	532611571	15
18.05	19.25	22.25	16.25	22.65	532611427	532611471	14
16.8	18	21	15	21.4	---	532611371	13
15.55	16.75	19.75	13.75	20.15	532611227	532611271	12
14.3	15.5	18.5	12.5	18.9	---	532611171	11
13.05	14.25	17.25	11.25	17.65	---	532611071	10
11.8	13	16	10	16.4	532610927	532610971	9
10.55	11.75	14.75	8.75	15.15	532610827	532610871	8
9.3	10.5	13.5	7.5	13.9	532610727	532610771	7
8.05	9.25	12.25	6.25	12.65	532610627	532610671	6
6.8	8	11	5	11.4	532610527	532610571	5
5.55	6.75	9.75	3.75	10.15	532610427	532610471	4
4.3	5.5	8.5	2.5	8.9	532610327	532610371	3
3.05	4.25	7.25	1.25	7.65	---	532610271	2
E	D	C	B	A	色：黒 COLOUR: BLACK	色：ナチュラル(ベージュ) COLOUR: NATURAL (BEIGE)	極数 CIRCUIT SIZE
						11. 発注番号 ORDER NO	
						梱包形態：エンボス梱包 PACKAGING：EMBOSS TAPE AND REEL	

1. TABLE 1

番号 NO.	部品 PART	材質 MATERIAL
1	ハウジング HOUSING	ポリアミド(PA), UL94V-0, GLASS-FILLED, 色: 表参照 POLYAMIDE(PA), UL94V-0, GLASS-FILLED, COLOUR: SEE CHART
2	ターミナル TERMINAL	りん青銅 PHOSPHOR BRONZE 無光沢錫めっき 1.0 MICROMETER MINIMUM MATTE TIN PLATING 1.0 MICROMETER MINIMUM ニッケルめっき 1.0 MICROMETER MINIMUM NICKEL PLATING 1.0 MICROMETER MINIMUM
3	ネイル NAIL	りん青銅 PHOSPHOR BRONZE 無光沢錫めっき 1.0 MICROMETER MINIMUM MATTE TIN PLATING 1.0 MICROMETER MINIMUM ニッケルめっき 1.0 MICROMETER MINIMUM NICKEL PLATING 1.0 MICROMETER MINIMUM

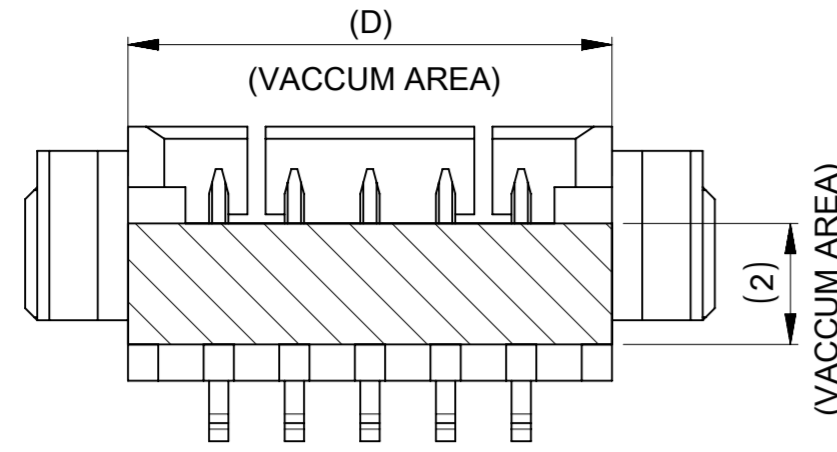
DOCUMENT STATUS	P1	RELEASE DATE	2023/07/24	10:03:37
-----------------	----	--------------	------------	----------

THIS DRAWING CONTAINS INFORMATION THAT IS PROPRIETARY TO MOLEX ELECTRONIC TECHNOLOGIES, LLC AND SHOULD NOT BE USED WITHOUT WRITTEN PERMISSION

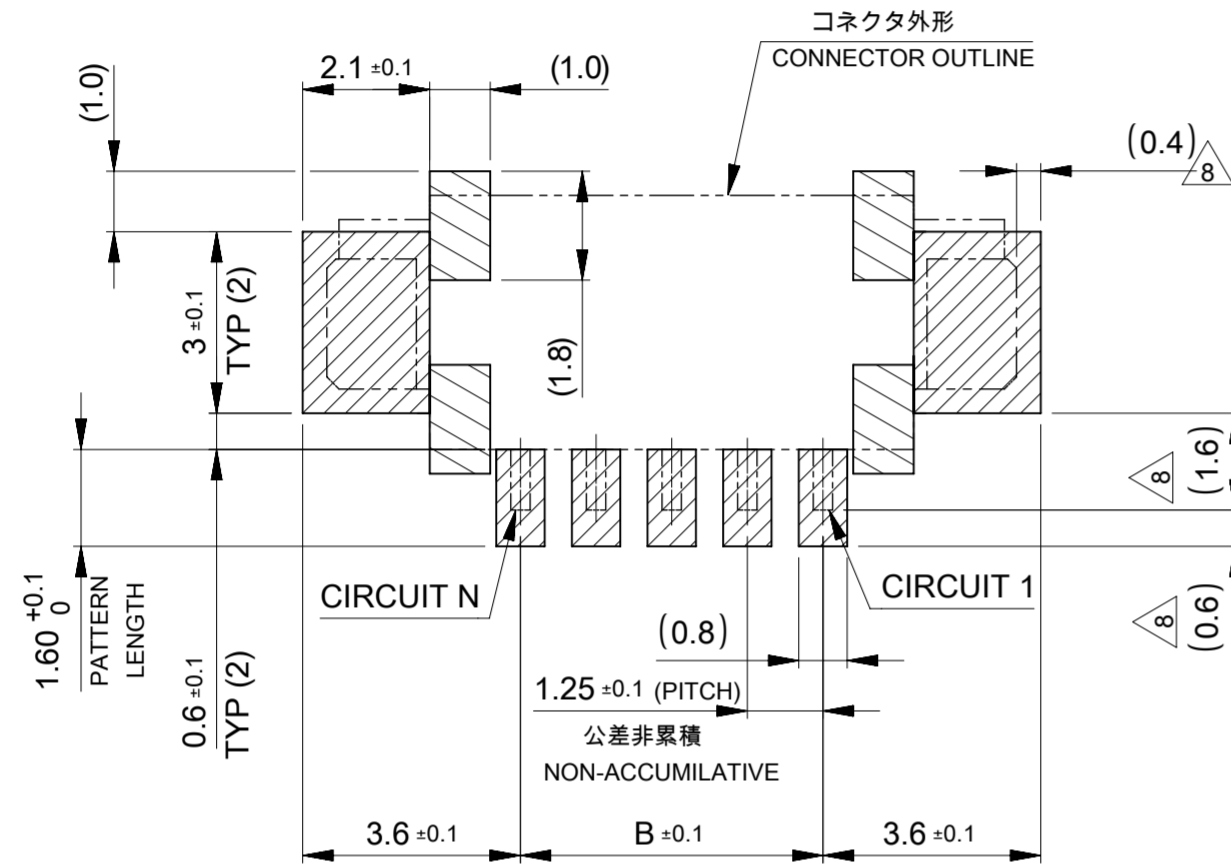
DIMENSION UNITS	SCALE	CURRENT REV DESC:	molex		
mm	NTS				
GENERAL TOLERANCES (UNLESS SPECIFIED)			PICOBLADE 1.25 SMT RIGHT ANGLE TIN PLATING TYPE PRODUCT CUSTOMER DRAWING		
ANGULAR TOL	± 3.0°	EC NO: 744677			
4 PLACES	± 0.2	DRWN: SSATO02 2022/12/16			
3 PLACES	± 0.2	CHK'D: AIDA 2023/07/24			
2 PLACES	± 0.2	APPR: MARAI 2023/07/24	DOCUMENT NUMBER		
1 PLACE	± 0.2	INITIAL REVISION:	53261001-SD		
0 PLACES	± 0.2	DRWN: QHE31 2021/12/15	DOC TYPE	DOC PART	REVISION
DRAFT WHERE APPLICABLE MUST REMAIN WITHIN DIMENSIONS			APPR: KOMURAKAMI 2021/12/24	PSD	000
THIRD ANGLE PROJECTION			DRAWING	SERIES	SHEET NUMBER
DRAWING			A2-SIZE	53261	1 OF 4
MATERIAL NUMBER			SEE CHART	CUSTOMER	GENERAL

NOTES

△₈ 製品輪郭線からパッドまでの寸法を示す。
DIMENSIONS FROM CONNECTOR OUTLINE TO PAD



吸着エリア
VACCU AREA

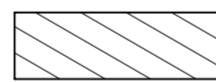


推奨基板レイアウト (実装面側)

RECOMMENDED P.C.B LAYOUT : COMPONENT SIDE

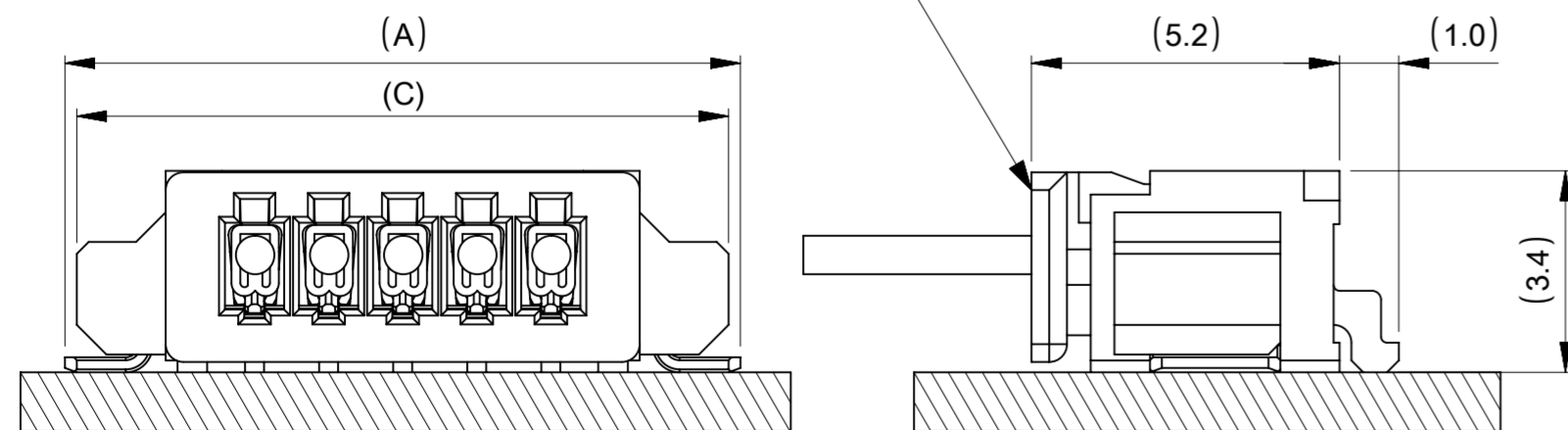
(参考 : 基板厚 1.0mm, メタルマスク厚さ: 0.15mm, マスク開口率: 100%)

(REFERENCE : P.C.B THICKNESS 1.0mm, STENCIL THICKNESS: 0.15mm, APERTURE: 100%)



: パターンおよびはんだ禁止エリア
RESTRICTED AREA
NO PCB COMPONENTS AND SOLDER ALLOWED

嵌合相手 : 51021 シリーズ
MATE WITH : 51021 SERIES

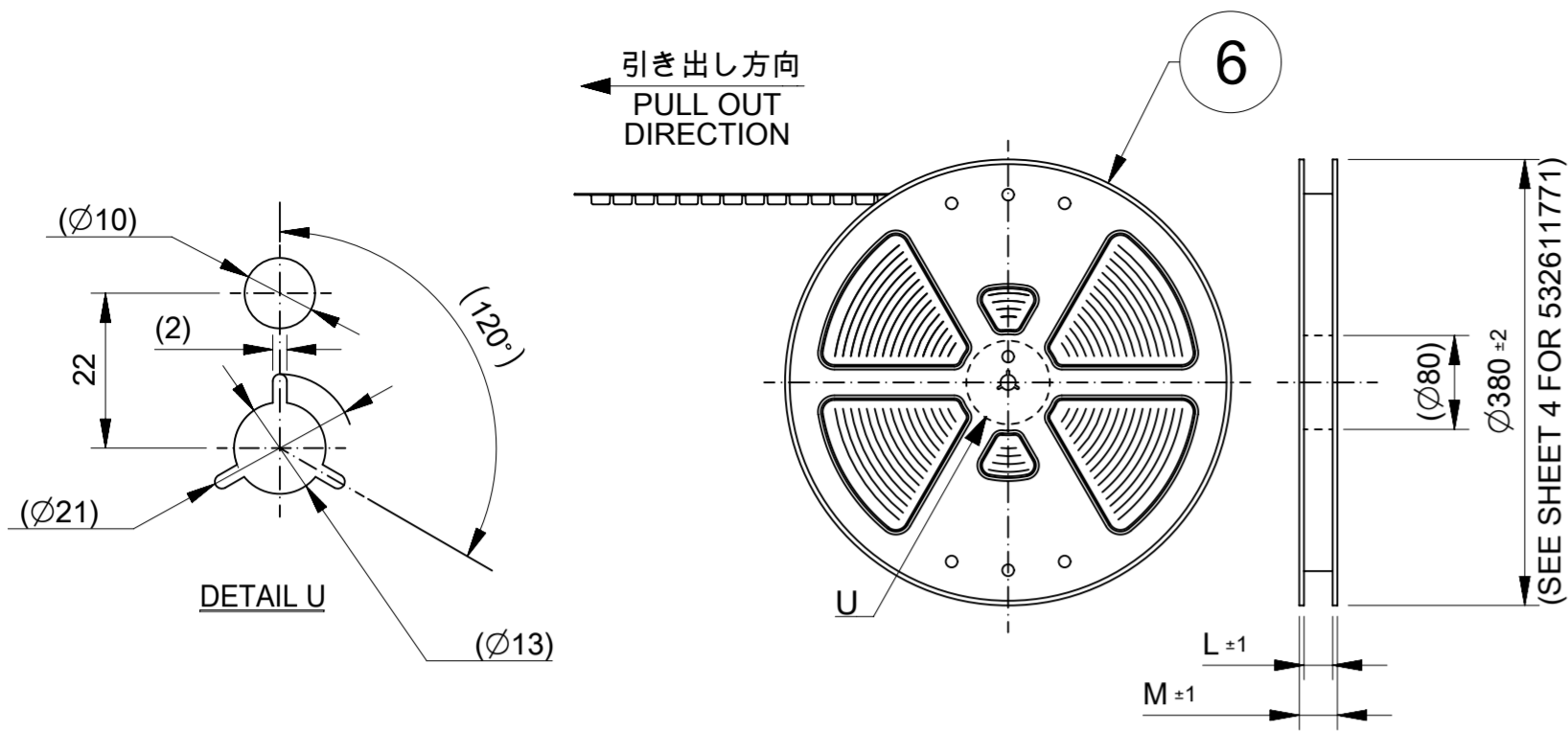


嵌合図
MATED CONNECTOR

21.8	23	26	20	26.4	17
19.3	20.5	23.5	17.5	23.9	15
18.05	19.25	22.25	16.25	22.65	14
16.8	18	21	15	21.4	13
15.55	16.75	19.75	13.75	20.15	12
14.3	15.5	18.5	12.5	18.9	11
13.05	14.25	17.25	11.25	17.65	10
11.8	13	16	10	16.4	9
10.55	11.75	14.75	8.75	15.15	8
9.3	10.5	13.5	7.5	13.9	7
8.05	9.25	12.25	6.25	12.65	6
6.8	8	11	5	11.4	5
5.55	6.75	9.75	3.75	10.15	4
4.3	5.5	8.5	2.5	8.9	3
3.05	4.25	7.25	1.25	7.65	2
E	D	C	B	A	極数 CIRCUIT SIZE

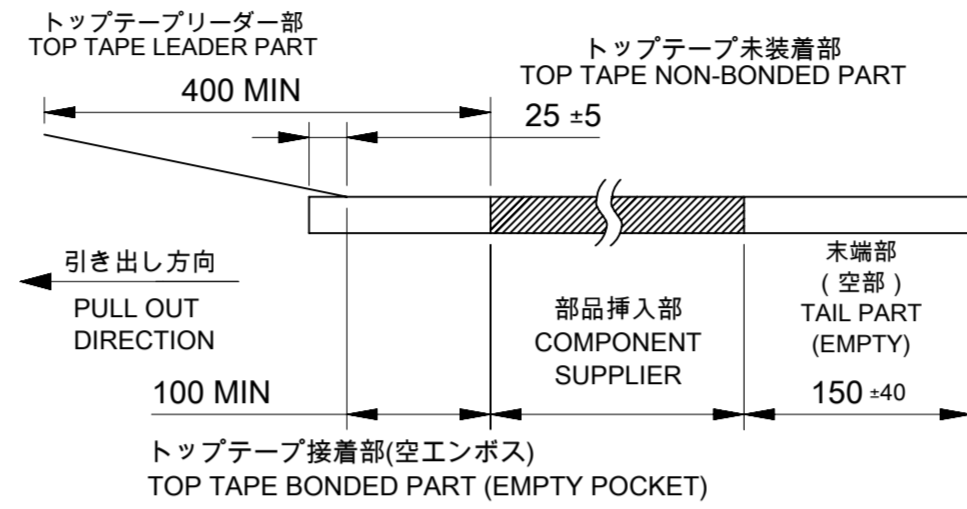
THIS DRAWING CONTAINS INFORMATION THAT IS PROPRIETARY TO MOLEX ELECTRONIC TECHNOLOGIES, LLC AND SHOULD NOT BE USED WITHOUT WRITTEN PERMISSION

DIMENSION UNITS	SCALE	CURRENT REV DESC:			
mm	NTS	<p>molex</p> <p>PICOBLADE 1.25 SMT RIGHT ANGLE TIN PLATING TYPE</p> <p>PRODUCT CUSTOMER DRAWING</p>			
GENERAL TOLERANCES (UNLESS SPECIFIED)					
ANGULAR TOL	± 3.0°				
4 PLACES	± 0.2				
3 PLACES	± 0.2				
2 PLACES	± 0.2	EC NO: 744677	2022/12/16	DOCUMENT NUMBER	
1 PLACE	± 0.2	DRWN: SSATO02	2023/07/24	532610001-SD	
0 PLACES	± 0.2	CHK'D: AIDA	2023/07/24	DOC TYPE	DOC PART
DRAFT WHERE APPLICABLE MUST REMAIN WITHIN DIMENSIONS		APPR: MARAI	2023/07/24	PSD	000
THIRD ANGLE PROJECTION		INITIAL REVISION:	2021/12/15	REVISION	
DRAWING		DRWN: QHE31	2021/12/24	E	
SERIES		APPR: KOMURAKAMI	2021/12/24	SHEET NUMBER	
A2-SIZE		MATERIAL NUMBER	CUSTOMER	2 OF 4	
53261		SEE CHART	GENERAL		



注釈 NOTE

- 9. 梱包数量: 1600個/リール (532611771についてはSHEET 4を参照)
NUMBER OF CONNECTOR: 1600PCS/REEL (SEE SHEET 4 FOR 532611771)
- 10. リードテープ長さ(532611771についてはSHEET 4を参照)
LEAD TAPE LENGTH (SEE SHEET 4 FOR 532611771)



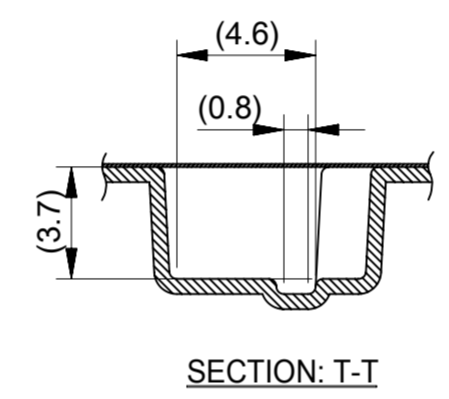
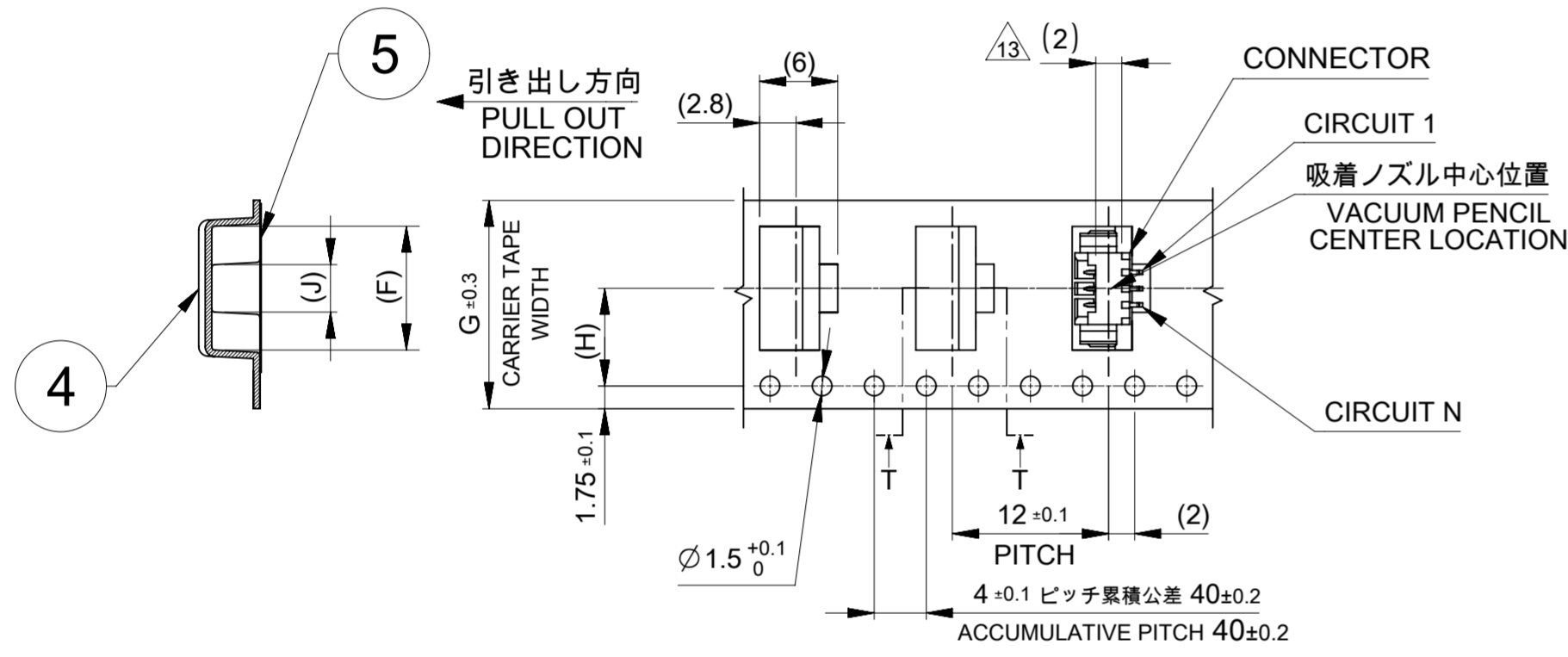
発注番号
ORDER NUMBER
53261****

極数
CIRCUIT

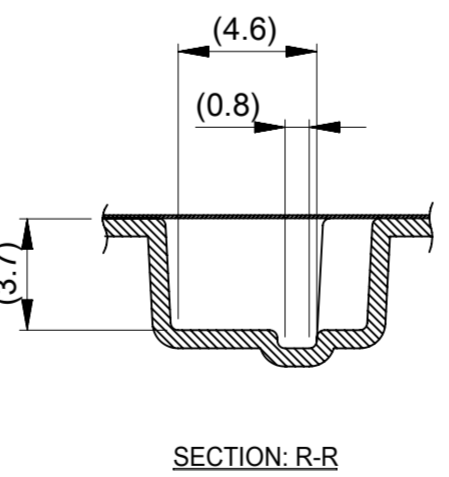
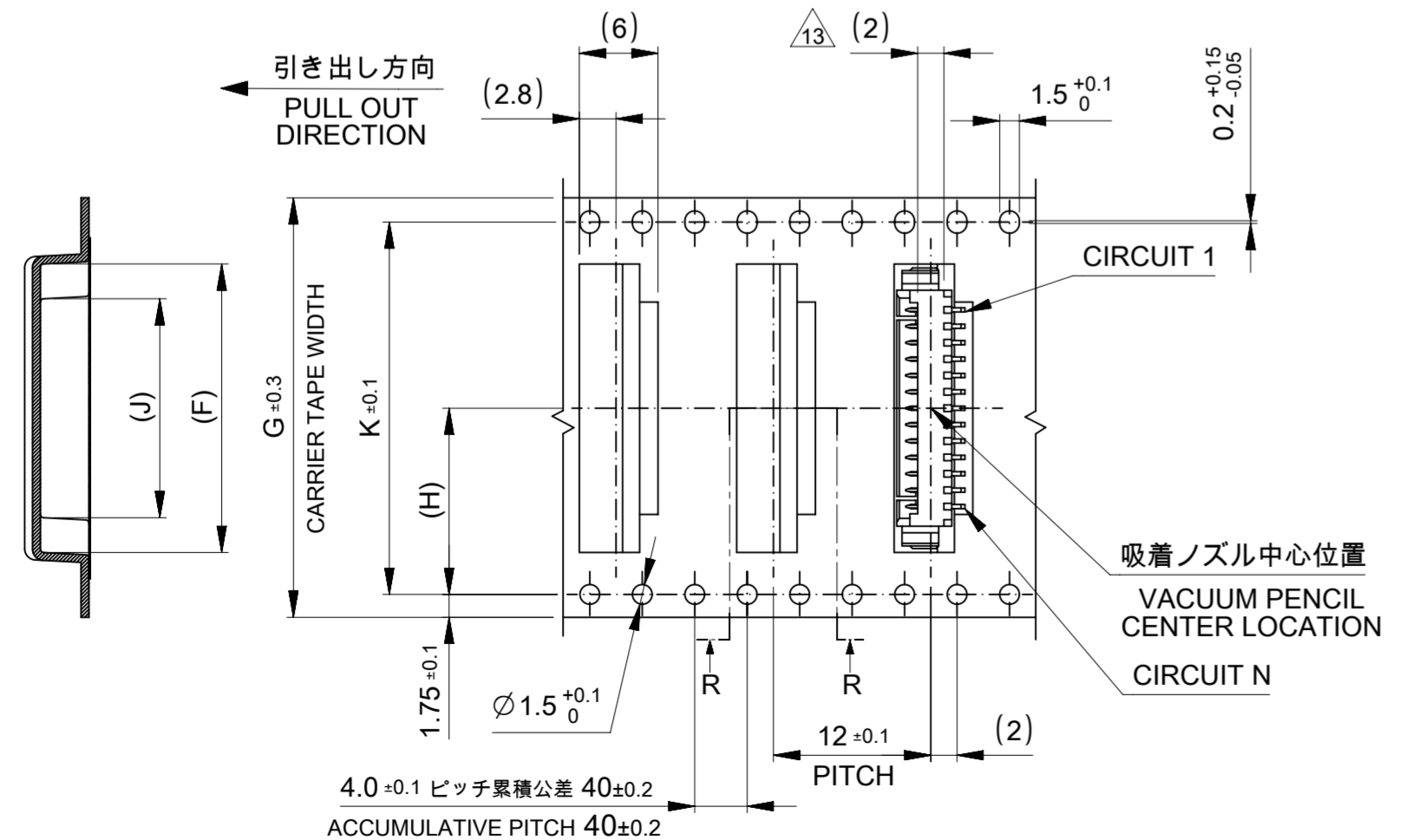
- 12. 材料: TABLE 2参照
MATERIAL: REFER TO TABLE 2
- 13. コネクタハウジング平面部
CONNECTOR HOUSING FLAT AREA.
- 14. トップテープの剥離強度はIEC 60286-3に準拠。
TOP TAPE PEELING FORCE IS DEFINED BY IEC 60286-3.
- 15. 本製品は乾燥剤入りハイバリア梱包仕様である。
THIS PRODUCT IS HIGH BARRIER PACKAGE WITH DESICCANT.

TABLE2

番号 NO.	部品 PART	材質 MATERIAL
④	キャリアテープ CARRIER TAPE	MXL生産分: ポリプロピレン(PP) PROCEED BY MXL: POLYPROPYLENE(PP) MXK生産分: ポリスチレン(PS) PROCEED BY MXK: POLYSTYRENE(PS)
⑤	トップテープ TOP TAPE	ポリエチレンテレフタレート (PET)、その他 POLYETHYLENE TEREPHTHALATE (PET), ETC
⑥	リール REEL	ポリスチレン(PS) <リサイクル材を含む> POLYSTYRENE(PS) <RECYCLE MATERIAL CONTAINED >



16mm幅(2~3極用)および24mm幅(4~10極用)キャリアテープ
16mm (FOR 2~3 CIRCUIT) OR 24mm (FOR 4~10 CIRCUIT) WIDTH CARRIER TAPE



32mm幅(11~13極用)および44mm幅(14~15, 17極用)キャリアテープ
32mm (FOR 11~13 CIRCUIT) OR 44mm (FOR 14~15, 17 CIRCUIT) WIDTH CARRIER TAPE

49.4	45.4	40.4	21.2		27	17
			18.7	20.2	42	15
			17.45		23.25	14
37.4	33.4	28.4	16.2		22	13
			14.95	14.2	32	12
			13.7		19.5	11
			12.45		18.25	10
			11.2		17	9
			9.95		15.75	8
			8.7	11.5	24	7
			7.45		14.5	6
			6.2		12	5
			4.95		10.75	4
21.4	17.4	-	3.7	7.5	16	3
			2.45		8.25	2
M	L	K	J	H	キャリアテープ幅 G CARRIER TAPE WIDTH G	F 極数 CIRCUIT SIZE

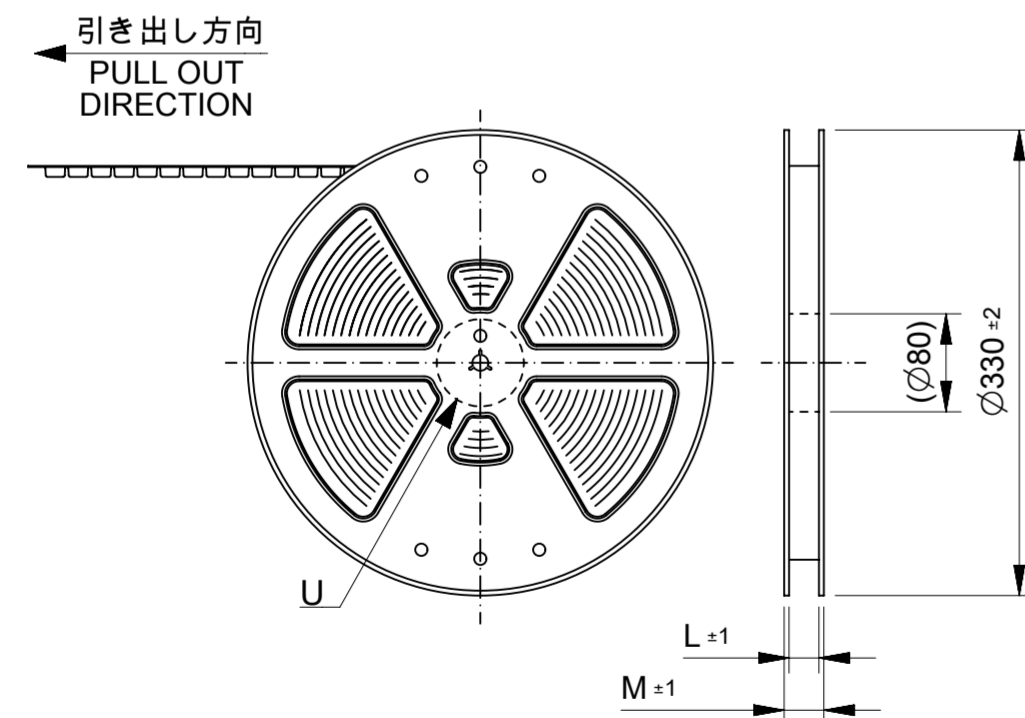
THIS DRAWING CONTAINS INFORMATION THAT IS PROPRIETARY TO MOLEX ELECTRONIC TECHNOLOGIES, LLC AND SHOULD NOT BE USED WITHOUT WRITTEN PERMISSION

DIMENSION UNITS	SCALE	CURRENT REV DESC:	molex		
mm	NTS				
GENERAL TOLERANCES (UNLESS SPECIFIED)			PICOBLADE 1.25 SMT RIGHT ANGLE TIN PLATING TYPE		
ANGULAR TOL	± 3.0°	EC NO: 744677	PRODUCT CUSTOMER DRAWING		
4 PLACES	± 0.2	DRWN: SSATO02	2022/12/16	DOCUMENT NUMBER	
3 PLACES	± 0.2	CHK'D: AIDA	2023/07/24	532610001-SD	DOC TYPE DOC PART REVISION
2 PLACES	± 0.2	APPR: MARAI	2023/07/24	PSD	000 E
1 PLACE	± 0.2	INITIAL REVISION:	MATERIAL NUMBER CUSTOMER SHEET NUMBER		
0 PLACES	± 0.2	DRWN: QHE31	2021/12/15	SEE CHART	GENERAL
DRAFT WHERE APPLICABLE MUST REMAIN WITHIN DIMENSIONS		APPR: KOMURAKAMI	2021/12/24	A2-SIZE	53261
THIRD ANGLE PROJECTION		DRAWING	SERIES	3 OF 4	

△ 適合製品及び各種仕様書
 APPLICABLE PRODUCTS AND SPECIFICATIONS

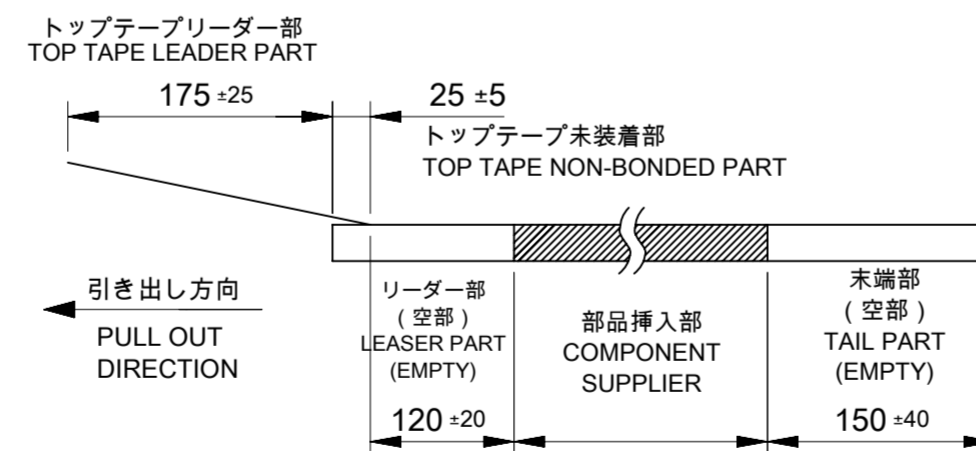
梱包仕様書 PACKING SPECIFICATION	PART NUMBER		SPECIFICATION NUMBER	
	53261**71 / 53261**27		SPK-53261-002 532619200-SPK (ONLY 532611771)	
適合ハウジング APPLICABLE HOUSING	PART NUMBER			
	51021**00			
適合圧着端子 APPLICABLE TERMINAL	PLATING	TIN		
	PART NUMBER	500798*00	500588*00	500798001
	WIRE SIZE (AWG)	#26-28	#28-32	#26-28
製品仕様書 PRODUCT SPECIFICATION	PS-51021-024 PS 001		510211124-PS PS 000	
アプリケーション仕様書 (取扱説明書) APPLICATION SPECIFICATION	510210000-AS PS 000			

532611771に適用
 APPLIES TO 532611771



17. 梱包数量: 1000個/リール
 NUMBER OF CONNECTOR: 1000PCS/REEL

18. リードテープ長さ
 LEAD TAPE LENGTH



THIS DRAWING CONTAINS INFORMATION THAT IS PROPRIETARY TO MOLEX ELECTRONIC TECHNOLOGIES, LLC AND SHOULD NOT BE USED WITHOUT WRITTEN PERMISSION												
DIMENSION UNITS	SCALE	CURRENT REV DESC:			molex							
mm	NTS											
GENERAL TOLERANCES (UNLESS SPECIFIED)					PICOBLADE 1.25 SMT RIGHT ANGLE TIN PLATING TYPE							
ANGULAR TOL	± 3.0°	EC NO: 744677			PRODUCT CUSTOMER DRAWING							
4 PLACES	± 0.2	DRWN: SSATO02			2022/12/16							
3 PLACES	± 0.2	CHK'D: AIDA			2023/07/24							
2 PLACES	± 0.2	APPR: MARAI			2023/07/24							
1 PLACE	± 0.2	INITIAL REVISION:			DOCUMENT NUMBER							
0 PLACES	± 0.2	DRWN: QHE31			2021/12/15			532610001-SD		PSD	000	E
DRAFT WHERE APPLICABLE MUST REMAIN WITHIN DIMENSIONS			THIRD ANGLE PROJECTION	DRAWING	SERIES	MATERIAL NUMBER	CUSTOMER	SHEET NUMBER				
				A2-SIZE	53261	SEE CHART	GENERAL	4 OF 4				

10 9 8 7 6 5 4 3 2 1

F

F

E

E

D

D

C

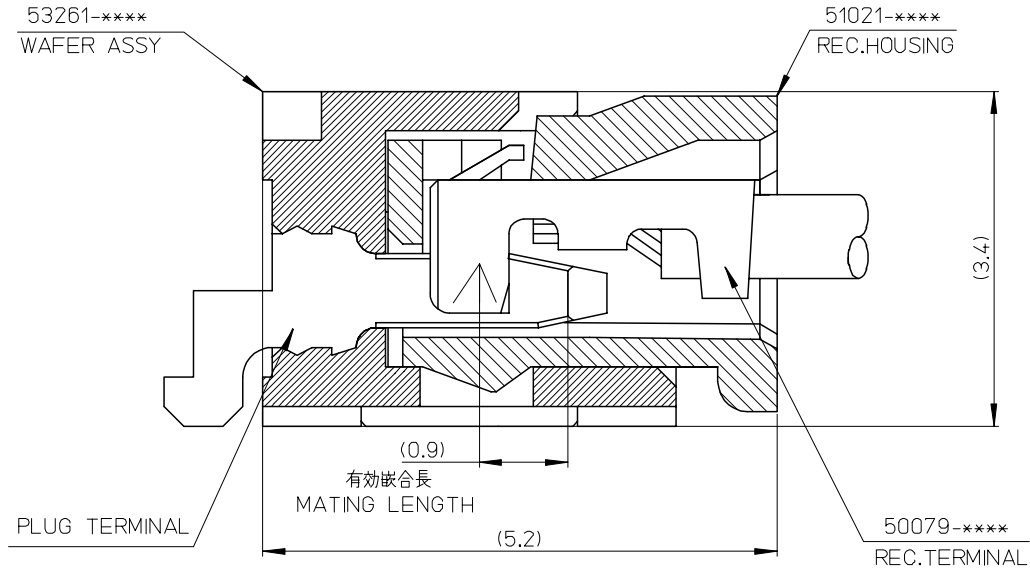
C

B

B

A

A



53261-****	WAFER ASSY	MODEL NO./MATERIAL NO.
50079-****	TERMINAL	
51021-****	HOUSING	

RELEASED EC NO: J2006-2426 DRWN: A0YAGI 2006/02/02 CHKD: YMAEDA 2006/02/03 APPR: NUKITA 2006/02/07	GENERAL TOLERANCES (UNLESS SPECIFIED)		DIMENSION STYLE MM ONLY		SCALE ---	DESIGN UNITS METRIC	THIRD ANGLE PROJECTION	
	10 UNDER	± ---	DRAWN BY Y. A0YAGI	DATE 2006/01/30	TITLE 1.25 W-TO-B CONN. 51021,53261 MATING CROSS SECTION			
	10 OVER 30 UNDER	± ---	CHECKED BY Y. MAEDA	DATE 2006/01/30	MOLEX INCORPORATED			
	30 OVER	± ---	APPROVED BY N. UKITA	DATE 2006/01/30	MATERIAL NO. SEE CHART			
	ANGULAR ± --- °		DRAFT WHERE APPLICABLE MUST REMAIN WITHIN DIMENSIONS		DOCUMENT NO. SD-51021-002		SHEET NO. 1 OF 1	

9

8

7

6

5

4

3

2