

# CABLIN<sup>®</sup>-UA II

0.3mm Pitch

Right Angle Stacking Type



- This is super small vertical mating type connector for small hinge assembly after cable termination
- Mating Height : 1.27mm
- Applicable Cable Size : Micro Coax  
AWG#46, AWG#44, AWG#42(Small diameter)
- W-Point Contact with High mating reliability
- Stable grounding characteristic by multi point ground structure
- Soldering connection

## 【Number of Position】

26p, 32p, 40p, 50p

## 【Ordering Code】

PLUG Connector Set (for Cable)

Parts Ordering (HOUSING)

**20497- 0 \*\* T - 30**  
                   ① ②

Parts Ordering (Metal Cover)

**2679-0 \*\* - \*\***  
                   ① ③

RECEPTACLE Connector Set  
(for PC Board)

**20498- 0 \*\* E - \* \***  
                   ① ② ③ ④

## 【Applicable Cable Size】

Micro Coax	AWG #42 (Small Diameter) AWG #44, #46
------------	--

①	POS.	26: 26pos 32: 32pos 40: 40pos 50: 50pos	
②	Packaging	T	Tray
③	METAL COVER Finish	00	Au
		10	Sn

①	POS.	26: 26pos 32: 32pos 40: 40pos 50: 50pos	
②	Packaging	E	Emboss Tape
③	SHELL Plating	3	Au
		4	Sn
④	VACUUM CLIP	0	Without
		1	With

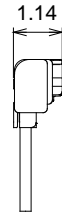
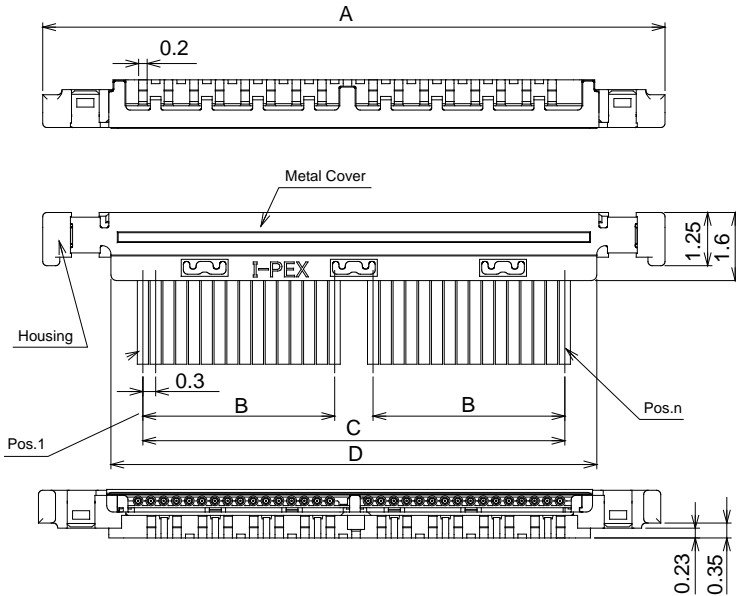
## 【Recommended P/N】

POS.	HOUSING	Metal Cover	PLUG Connector Set	RECEPTACLE
26	20497-026T-30	2679-026-10	20496-026-40	20498-026E-41
32	20497-032T-30	2679-032-10	20496-032-40	20498-032E-41
40	20497-040T-30	2679-040-10	20496-040-40	20498-040E-41
50	20497-050T-30	2679-050-10	20496-050-40	20498-050E-41

**PLUG**

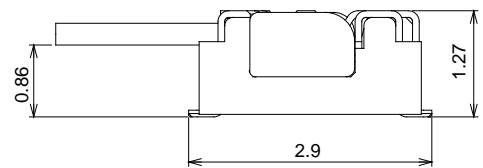
Set P/N: 20496-0\*\*-\*\*

POS.	A	B	C	D
26p	12.8	3.6	8.1	9.6
32p	14.6	4.5	9.9	11.4
40p	17.0	5.7	12.3	13.8
50p	20.0	7.2	15.3	16.8



Material / Finish

HOUSING	LCP UL94V-0	BLACK
CONTACT	COPPER ALLOY	Au
SHELL	COPPER ALLOY	Au or Ni
METAL COVER	STAINLESS STEEL	Au or Sn



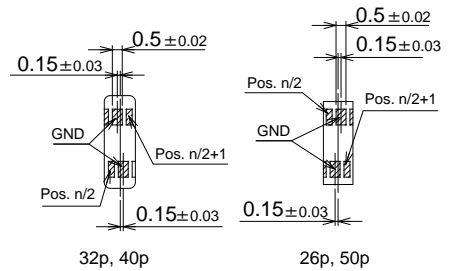
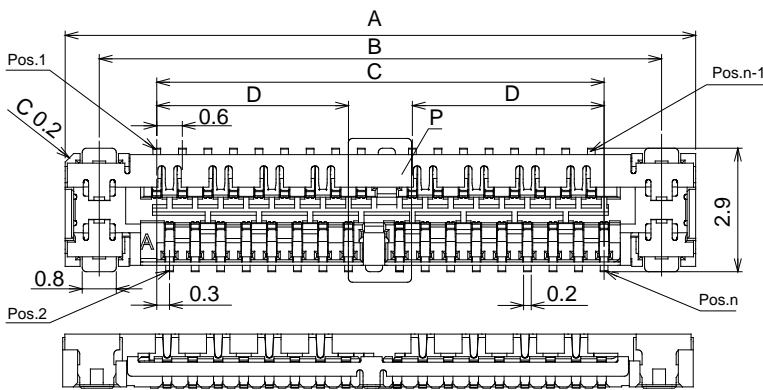
MATED VIEW

**RECEPTACLE**

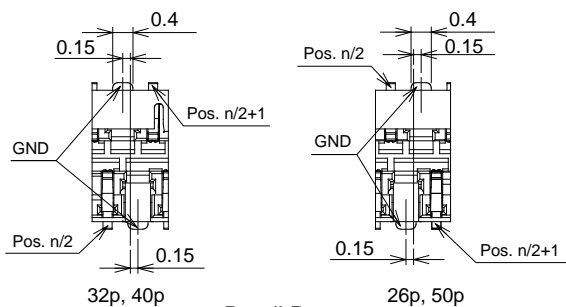
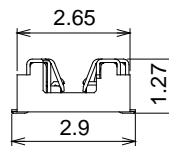
POS.	Part NO.	A	B	C	D
26p	20498-026E-**	12.4	10.8	8.1	3.6
32p	20498-032E-**	14.2	12.6	9.9	4.5
40p	20498-040E-**	16.6	15.0	12.3	5.7
50p	20498-050E-**	19.6	18.0	15.3	7.2

Material / Finish

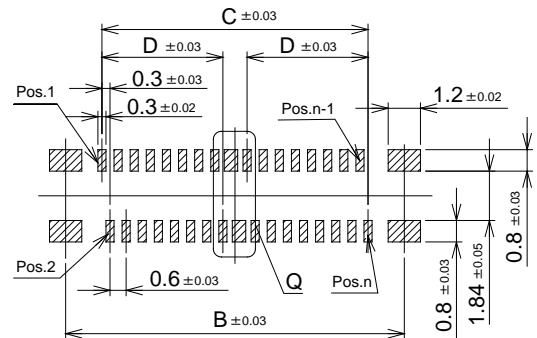
HOUSING	LCP UL94V-0	BLACK
CONTACT	COPPER ALLOY	Au
SHELL	COPPER ALLOY	Au or Sn



Detail.Q



Detail.P



RECOMMENDED FOOTPRINT PATTERN