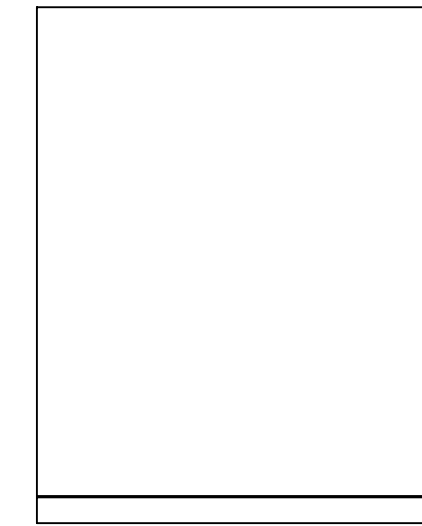
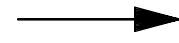
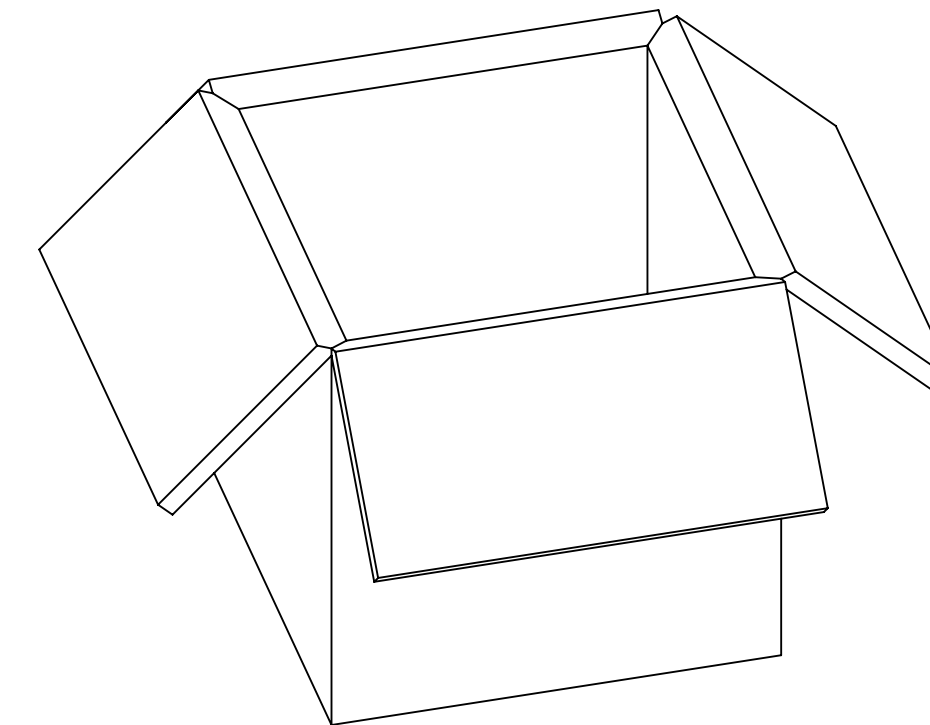


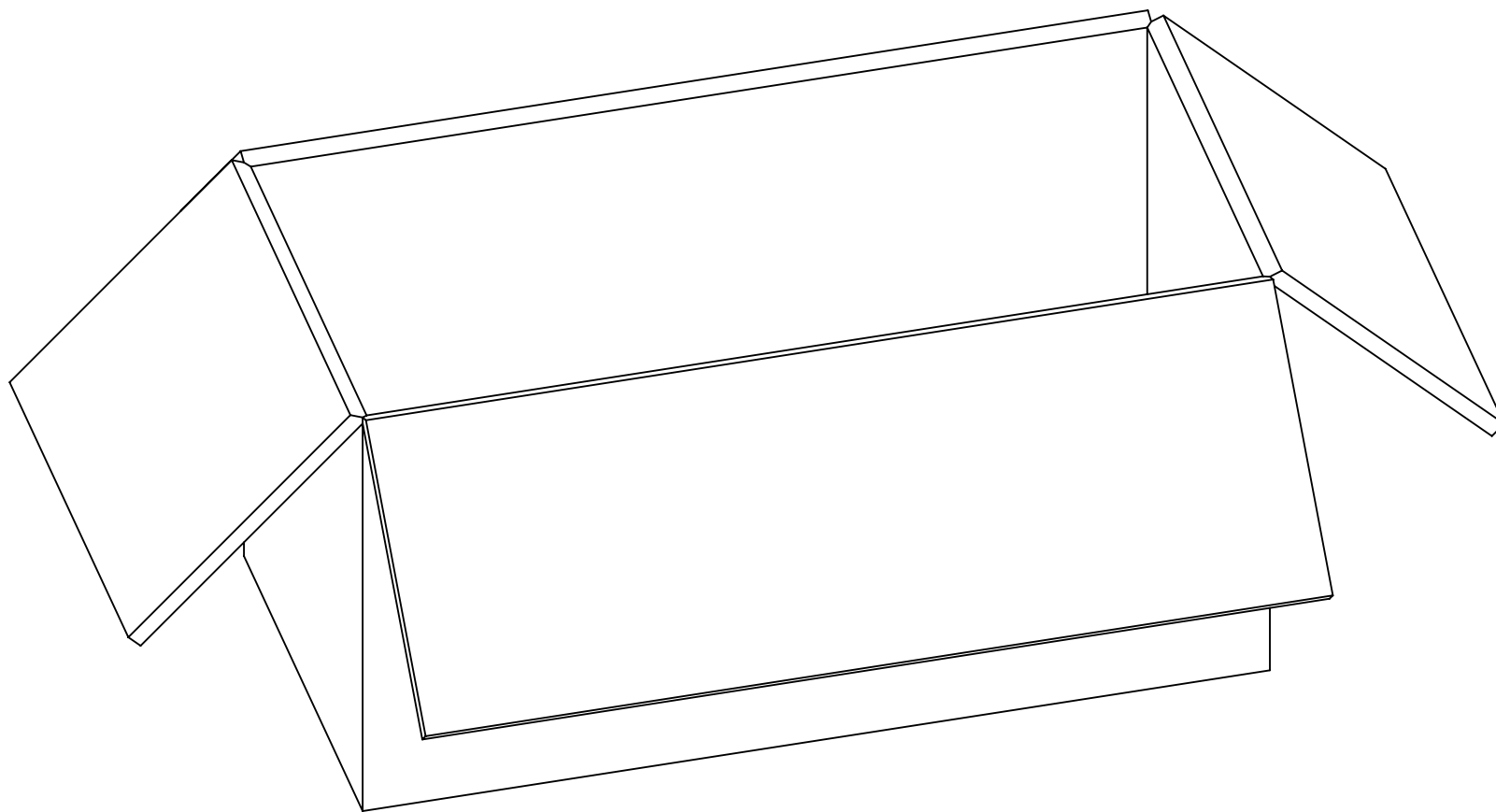
PRODUCT  
P/N: XXXXX-XXXX



500 SETS PER BAG



2000 SETS PER INNER CARTON BOX



4000 SETS PER OUTER CARTON BOX

THIS DRAWING CONTAINS INFORMATION THAT IS PROPRIETARY TO MOLEX ELECTRONIC TECHNOLOGIES, LLC AND SHOULD NOT BE USED WITHOUT WRITTEN PERMISSION										
DIMENSION UNITS		SCALE		CURRENT REV DESC: NEW RELEASE PER EWR #15848-B				<b>molex</b>		
mm		NTS								
GENERAL TOLERANCES (UNLESS SPECIFIED)								PACKAGING SPEC 89707-0001 (DU 4000) EWR-15848		
ANGULAR TOL		± °		EC NO: 750290						
4 PLACES		±		DRWN: RYEH		2023/05/18				
3 PLACES		±		CHK'D: YCHENG		2023/05/24				
2 PLACES		±		APPR: YCHENG		2023/05/24		PRODUCT CUSTOMER DRAWING		
1 PLACE		±		INITIAL REVISION:				DOCUMENT NUMBER		
0 PLACES		±		DRWN: RYEH		2023/05/18		895420161		
				APPR: YCHENG		2023/05/24		PSD	000	A
DRAFT WHERE APPLICABLE MUST REMAIN WITHIN DIMENSIONS			THIRD ANGLE PROJECTION		DRAWING	SERIES	MATERIAL NUMBER		CUSTOMER	SHEET NUMBER
					C-SIZE	89542	895420161			1 OF 1

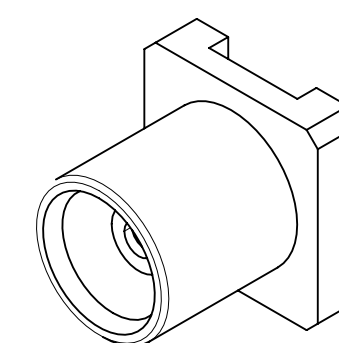
DOCUMENT STATUS	P1	RELEASE DATE	2023/05/24	11:34:24
-----------------	----	--------------	------------	----------

MATERIALS & FINISHES:

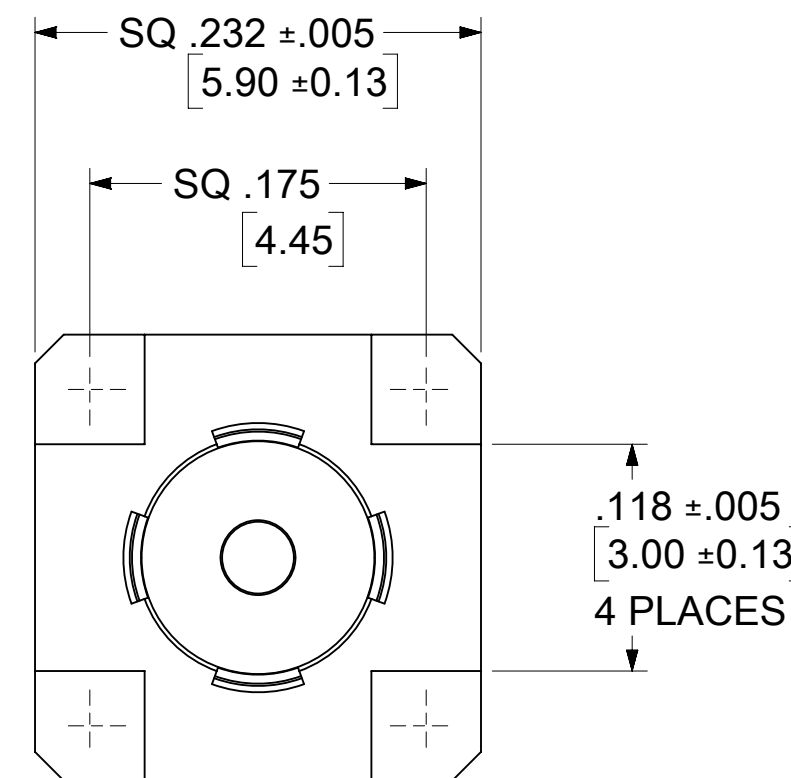
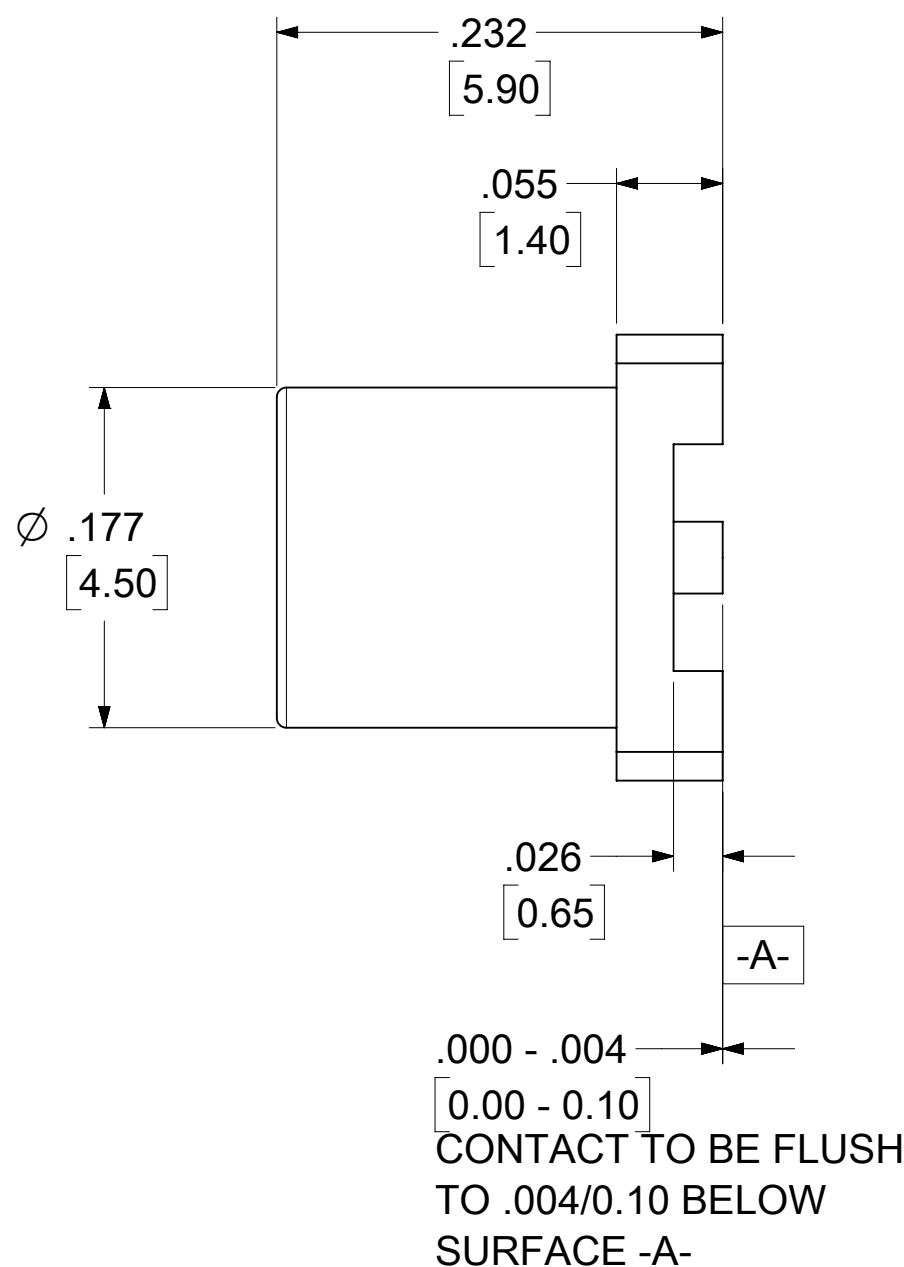
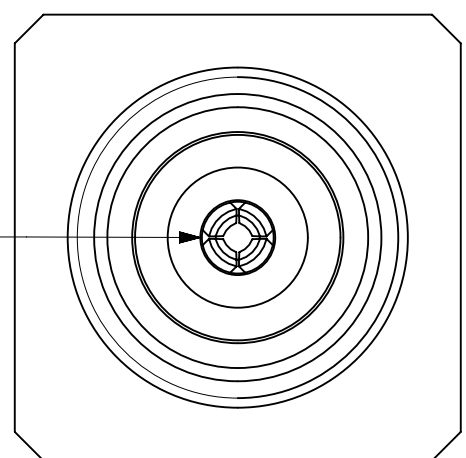
BODY: BRASS  
PLATING SEE TABLE

CONTACT: BERYLLIUM COPPER  
GOLD (30µ-in MIN)

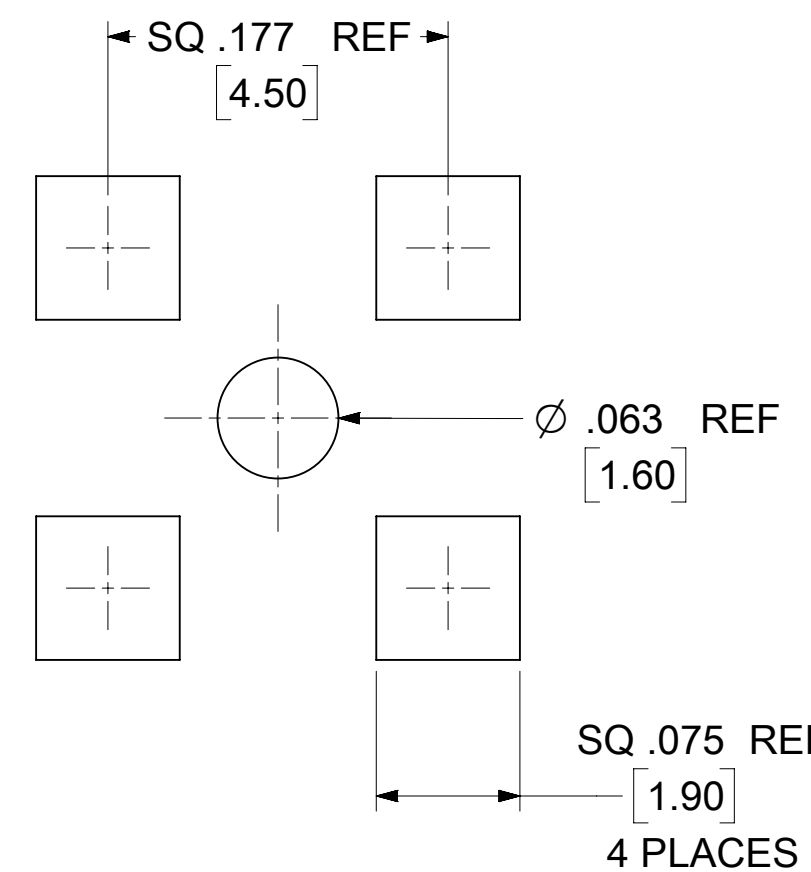
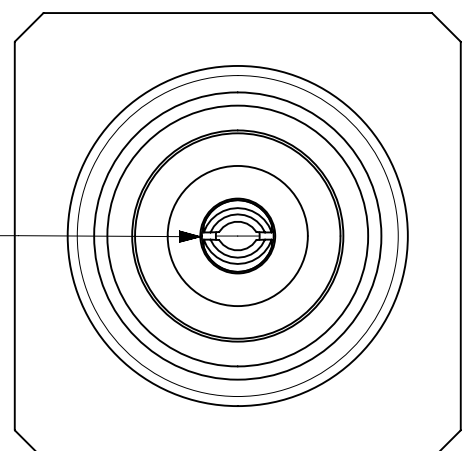
INSULATOR: TEFLON



NOTE:  
73415-1696 & 73415-1697  
WITH 4 SLOTS CONTACT



NOTE:  
73415-1690 & 73415-1691 &  
73415-1692 & 73415-1693 &  
73415-1694 & 73415-1695 &  
73415-1698 & 73415-1699 &  
73366-6510  
WITH 2 SLOTS CONTACT



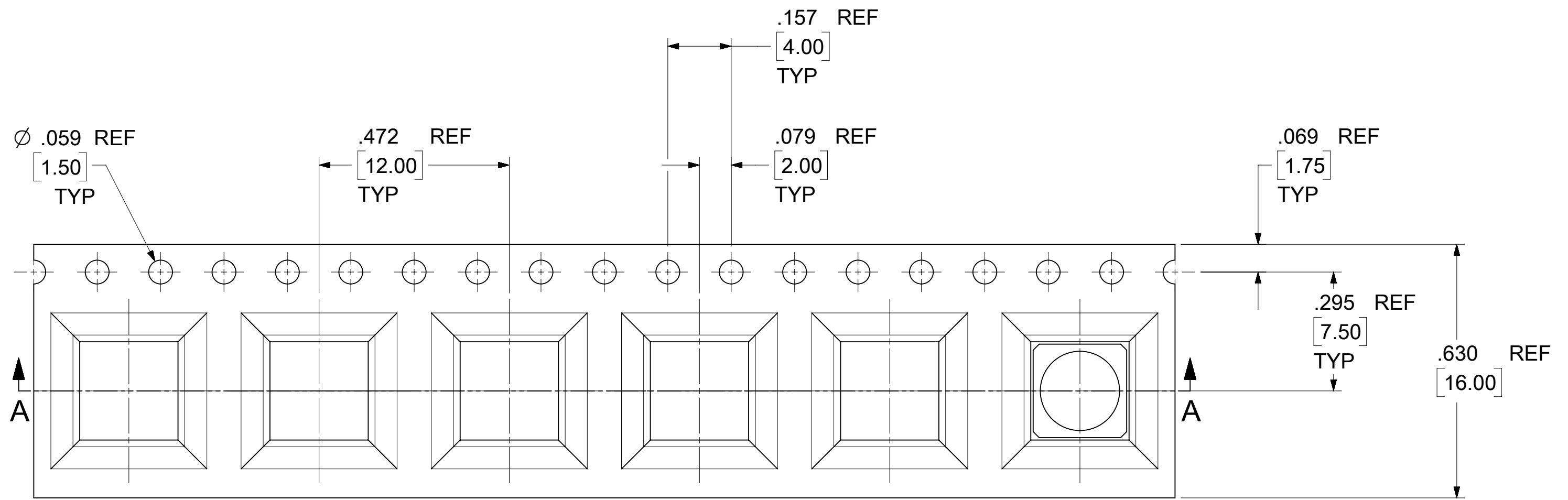
RECOMMENDED MOUNTING PATTERN

73366-6510	GOLD (1µ-in MIN)	2 SLOTS	73415-1691 TAPE & REEL WITH KAPTON	750 PCS PER REEL	SHEET 2, 3 & 4
73415-1699	GOLD (1µ-in MIN)	2 SLOTS	73416-1691 ONE PER BAG	1 PCS PER BAG	895420089
73415-1698	GOLD (30µ-in MIN)	2 SLOTS	73415-1698 TAPE & REEL WITH KAPTON	750 PCS PER REEL	SHEET 2, 3 & 4
73415-1697	GOLD (1µ-in MIN)	4 SLOTS	73415-1696 TAPE & REEL WITH KAPTON	750 PCS PER REEL	SHEET 2, 3 & 4
73415-1696	GOLD (1µ-in MIN)	4 SLOTS	73415-1696 BAG	500 PCS PER BAG	895420601
73415-1695	NICKEL	2 SLOTS	73415-1690 TAPE & REEL WITH KAPTON	750 PCS PER REEL	SHEET 2, 3 & 4
73415-1694	GOLD (1µ-in MIN)	2 SLOTS	73416-1691 SMALL TRAY	20 PCS PER TRAY	895420200
73415-1693	NICKEL	2 SLOTS	73415-1690 SMALL TRAY	20 PCS PER TRAY	895420200
73415-1692	GOLD (1µ-in MIN)	2 SLOTS	73415-1691 TAPE & REEL WITH KAPTON	750 PCS PER REEL	SHEET 2, 3 & 4
73415-1691	GOLD (1µ-in MIN)	2 SLOTS	73415-1691 BAG	500 PCS PER BAG	895420161
73415-1690	NICKEL	2 SLOTS	73415-1690 BAG	500 PCS PER BAG	895420161
PART NO.	BODY PLATING	CONTACT	DESCRIPTION	QUANTITY	PACKING SPEC

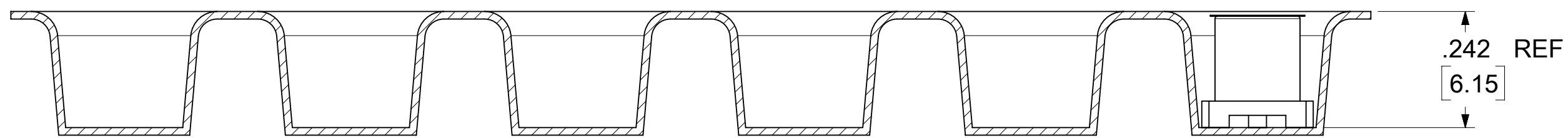
PS-89675-183	ELEC/MECH PERFORMANCE
SPECIFICATION	DESCRIPTION

THIS DRAWING CONTAINS INFORMATION THAT IS PROPRIETARY TO MOLEX ELECTRONIC TECHNOLOGIES, LLC AND SHOULD NOT BE USED WITHOUT WRITTEN PERMISSION

DIMENSION UNITS	SCALE	CURRENT REV DESC: ADD PACKING SPEC PER EWR #15848-A	<b>molex</b>			
INCH/MM	NTS					
GENERAL TOLERANCES (UNLESS SPECIFIED)		EC NO: 750290	MCX PCB/SMT JACK 50 OHM MCX-J/PCB/SMT EWR-1148			
4 PLACES	±	DRWN: RYEH 2023/05/10				
3 PLACES	±	CHK'D: YCHENG 2023/05/24	PRODUCT CUSTOMER DRAWING			
2 PLACES	± 0.25	APPR: YCHENG 2023/05/24				
1 PLACE	±	INITIAL REVISION:	DOCUMENT NUMBER			
0 PLACES	±	DRWN: YCHENG 2007/02/08				SD-73415-169
ANGULAR TOL	± 2.0 °	APPR: MHUANG 2007/02/09	DOC TYPE	DOC PART	REVISION	
DRAFT WHERE APPLICABLE MUST REMAIN WITHIN DIMENSIONS	THIRD ANGLE PROJECTION	DRAWING	SERIES	MATERIAL NUMBER	CUSTOMER	SHEET NUMBER
		C-SIZE	73415	SEE TABLE	GENERAL MARKET	1 OF 4

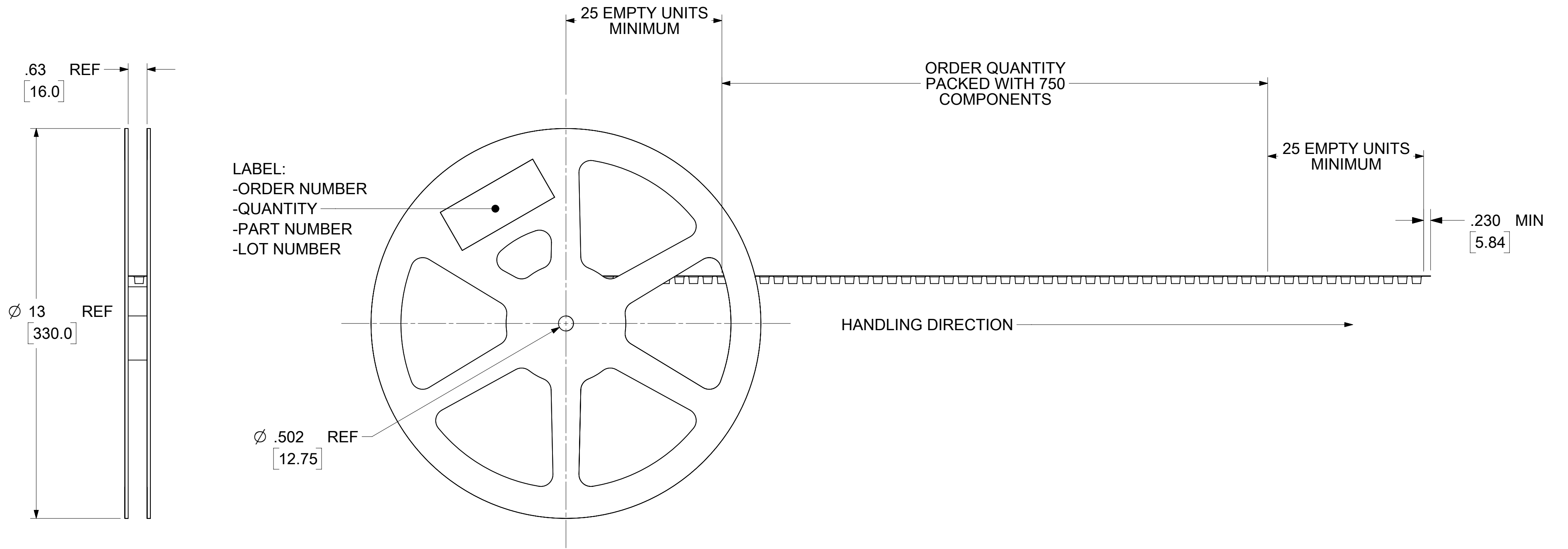


VIEWS FOR 73415-1692 & 73415-1695 & 73415-1697 & 73415-1698 & 73366-6510

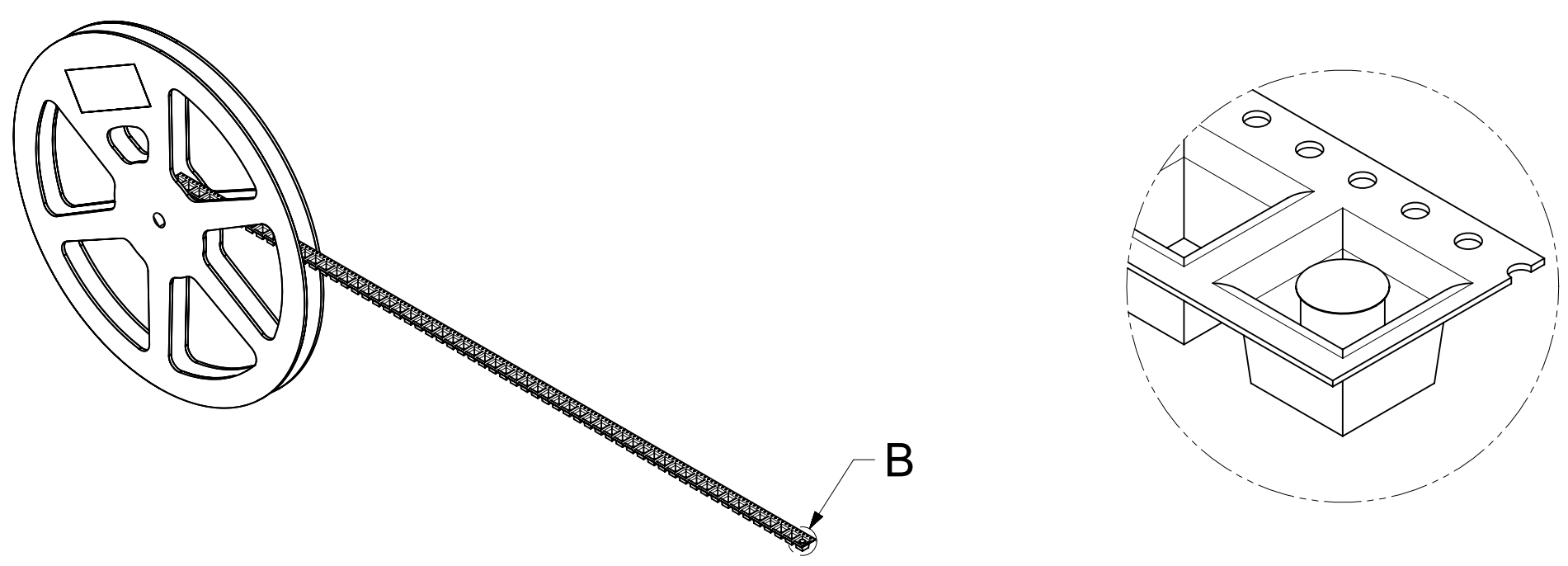


SECTION A-A

THIS DRAWING CONTAINS INFORMATION THAT IS PROPRIETARY TO MOLEX ELECTRONIC TECHNOLOGIES, LLC AND SHOULD NOT BE USED WITHOUT WRITTEN PERMISSION										
DIMENSION UNITS <b>INCH/MM</b>		SCALE <b>NTS</b>		CURRENT REV DESC: ADD PACKING SPEC PER EWR #15848-A			<b>molex</b>			
GENERAL TOLERANCES (UNLESS SPECIFIED)				EC NO: 750290						
		MM	INCH	DRWN: RYEH 2023/05/10			MCX PCB/SMT JACK 50 OHM			
4 PLACES		±	±	CHK'D: YCHENG 2023/05/24			MCX-J/PCB/SMT EWR-1148			
3 PLACES		±	± 0.01	APPR: YCHENG 2023/05/24			PRODUCT CUSTOMER DRAWING			
2 PLACES		± 0.25	±	INITIAL REVISION:			DOCUMENT NUMBER			
1 PLACE		±	±	DRWN: YCHENG 2007/02/08			SD-73415-169			
0 PLACES		±	±	APPR: MHUANG 2007/02/09			PSD 001 B7			
ANGULAR TOL		± 2.0 °		THIRD ANGLE PROJECTION			MATERIAL NUMBER			
DRAFT WHERE APPLICABLE MUST REMAIN WITHIN DIMENSIONS					DRAWING <b>C-SIZE</b>		SERIES <b>73415</b>		CUSTOMER GENERAL MARKET	
							SHEET NUMBER 2 OF 4			



VIEWS FOR 73415-1692 & 73415-1695 & 73415-1697 & 73415-1698 & 73366-6510



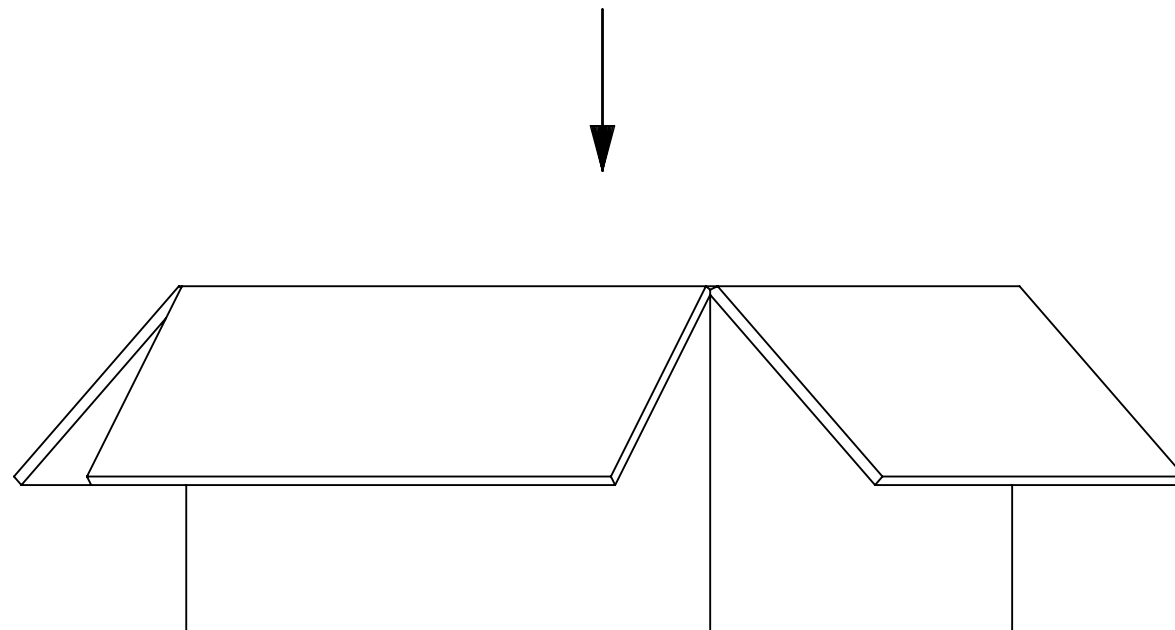
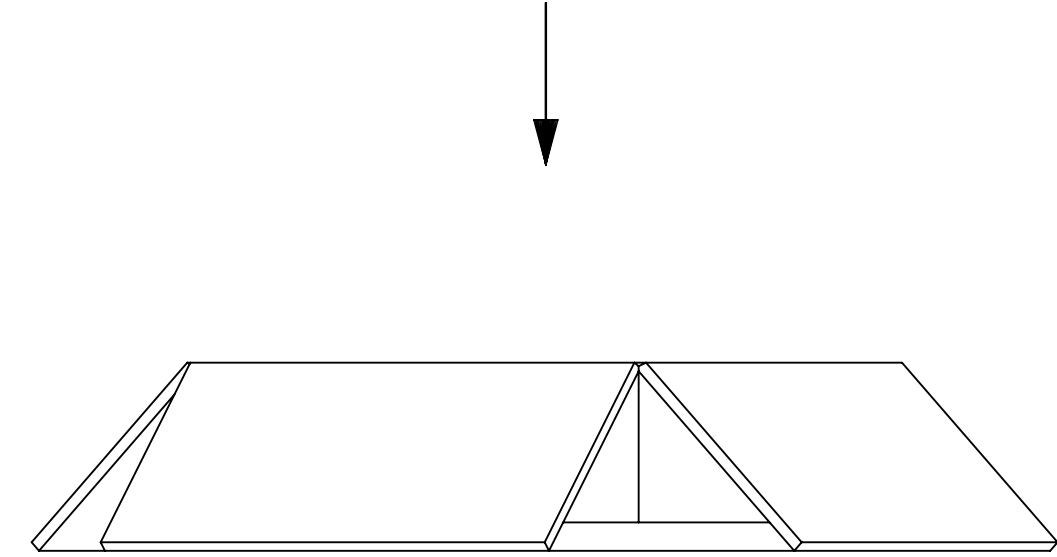
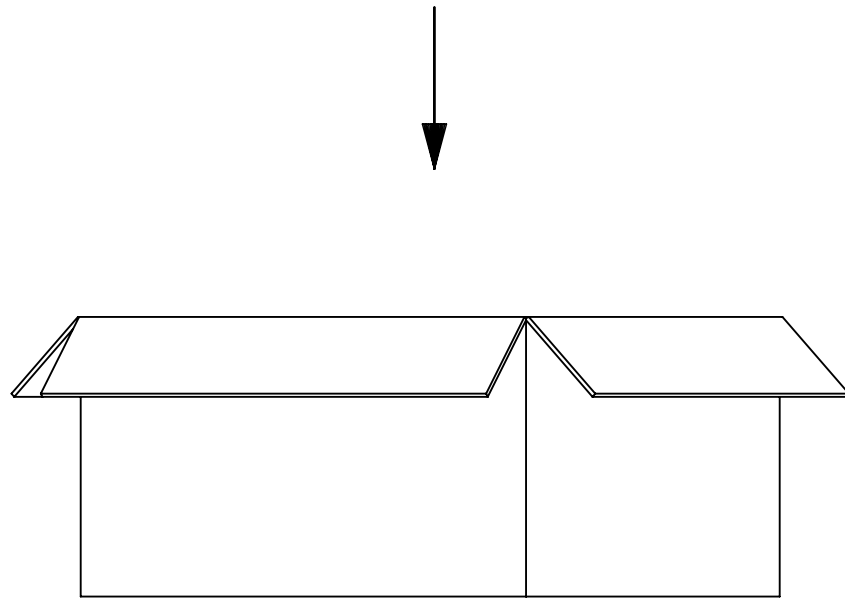
DETAIL B

THIS DRAWING CONTAINS INFORMATION THAT IS PROPRIETARY TO MOLEX ELECTRONIC TECHNOLOGIES, LLC AND SHOULD NOT BE USED WITHOUT WRITTEN PERMISSION												
DIMENSION UNITS		SCALE		CURRENT REV DESC: ADD PACKING SPEC PER EWR #15848-A				<b>molex</b>				
INCH/MM		NTS										
GENERAL TOLERANCES (UNLESS SPECIFIED)				EC NO: 750290 DRWN: RYEH 2023/05/10 CHK'D: YCHENG 2023/05/24 APPR: YCHENG 2023/05/24 INITIAL REVISION: DRWN: YCHENG 2020/02/08 APPR: MHUANG 2007/02/09				MCX PCB/SMT JACK 50 OHM MCX-J/PCB/SMT EWR-1148				
4 PLACES		±	±					PRODUCT CUSTOMER DRAWING				
3 PLACES		±	± 0.01					DOCUMENT NUMBER				
2 PLACES		± 0.25	±					SD-73415-169		DOC TYPE	DOC PART	REVISION
1 PLACE		±	±					SEE TABLE		PSD	001	B7
0 PLACES		±	±	MATERIAL NUMBER		CUSTOMER		SHEET NUMBER				
ANGULAR TOL		± 2.0 °		C-SIZE		GENERAL MARKET		3 OF 4				
DRAFT WHERE APPLICABLE MUST REMAIN WITHIN DIMENSIONS				THIRD ANGLE PROJECTION		DRAWING		SERIES				
						73415						

DOCUMENT STATUS	P1	RELEASE DATE	2023/05/24	11:34:23
-----------------	----	--------------	------------	----------

73415-1698	73415-1698 TAPE & REEL WITH KAPTON	750 PCS	6000 PCS
73415-1697	73415-1696 TAPE & REEL WITH KAPTON	750 PCS	6000 PCS
73415-1695	73415-1690 TAPE & REEL WITH KAPTON	750 PCS	6000 PCS
73415-1692	73415-1691 TAPE & REEL WITH KAPTON	750 PCS	6000 PCS
PART NO.	DESCRIPTION	QTY/REEL	QTY/CARTON

73366-6510	73415-1691 TAPE & REEL WITH KAPTON	750 PCS	750 PCS
PART NO.	DESCRIPTION	QTY/REEL	QTY/CARTON



THIS DRAWING CONTAINS INFORMATION THAT IS PROPRIETARY TO MOLEX ELECTRONIC TECHNOLOGIES, LLC AND SHOULD NOT BE USED WITHOUT WRITTEN PERMISSION									
DIMENSION UNITS		SCALE		CURRENT REV DESC: ADD PACKING SPEC PER EWR #15848-A			<b>molex</b>		
INCH/MM		NTS							
GENERAL TOLERANCES (UNLESS SPECIFIED)				EC NO: 750290			MCX PCB/SMT JACK 50 OHM MCX-J/PCB/SMT EWR-1148		
		MM	INCH	DRWN: RYEH 2023/05/10					
4 PLACES		±	±	CHK'D: YCHENG 2023/05/24			PRODUCT CUSTOMER DRAWING		
3 PLACES		±	± 0.01	APPR: YCHENG 2023/05/24					
2 PLACES		±	0.25	INITIAL REVISION:			DOCUMENT NUMBER		
1 PLACE		±	±	DRWN: YCHENG 2007/02/08					
0 PLACES		±	±	APPR: MHUANG 2007/02/09			PSD 001 B7		
ANGULAR TOL		± 2.0 °		THIRD ANGLE PROJECTION					
DRAFT WHERE APPLICABLE MUST REMAIN WITHIN DIMENSIONS				DRAWING			CUSTOMER		
				C-SIZE					
				SERIES			SHEET NUMBER		
				73415					
DOCUMENT STATUS		P1	RELEASE DATE	2023/05/24	11:34:23				